

**Installation instructions  
and User guide (EN)**

**Instrucciones para la instalación  
y su uso (ES)**

**Einbauanleitung wartung  
und gebrauch (DE)**

**Conseils d'installation  
et guide d'utilisation (FR)**

**Istruzioni per l'installazione  
e guida per l'utente (IT)**

**Installatievoorschriften  
en gebruiksaanwijzing (NL)**

***Fisher&Paykel***

**Installationsanvisninger  
og brugsanvisning (DA)**

**Asennusohjeet ja käyttöopas (FI)**

**Installationsinstruktioner  
och användarmanual (SV)**

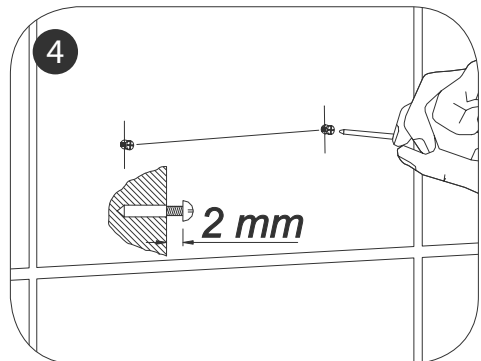
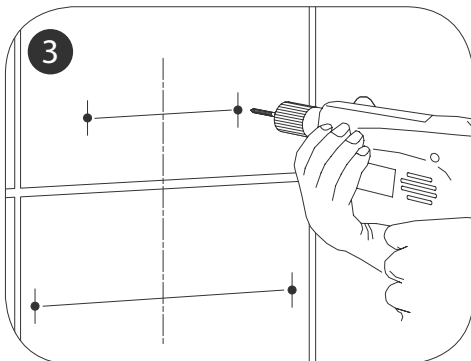
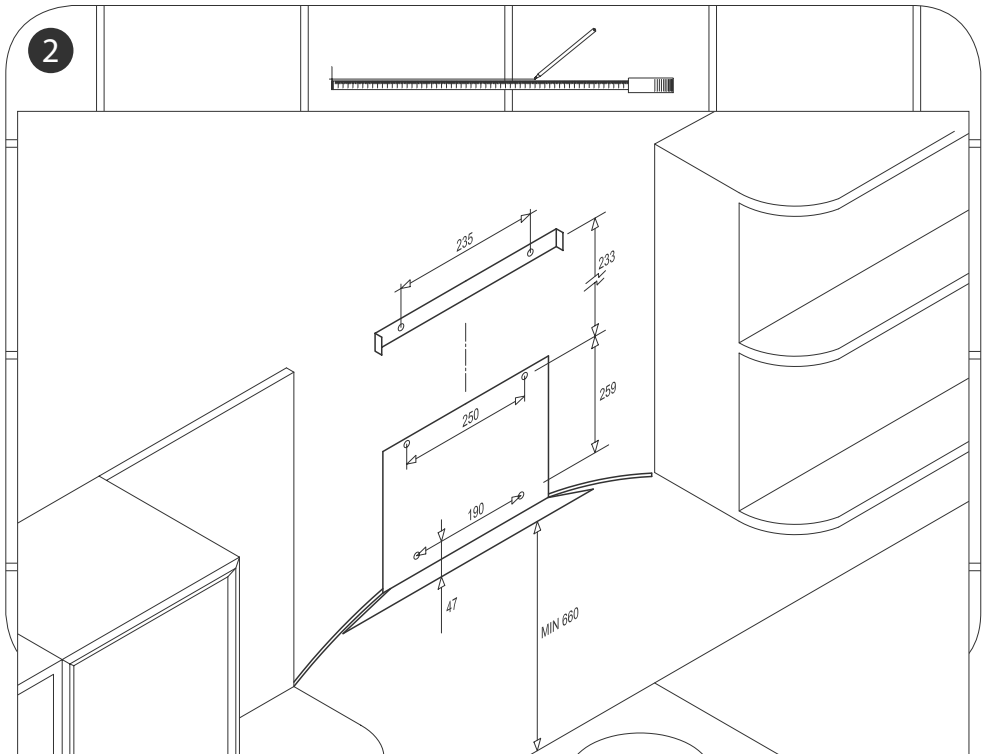
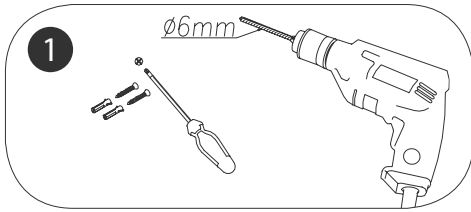
**Installasjonsanvisninger  
og brukerhåndbok (NO)**

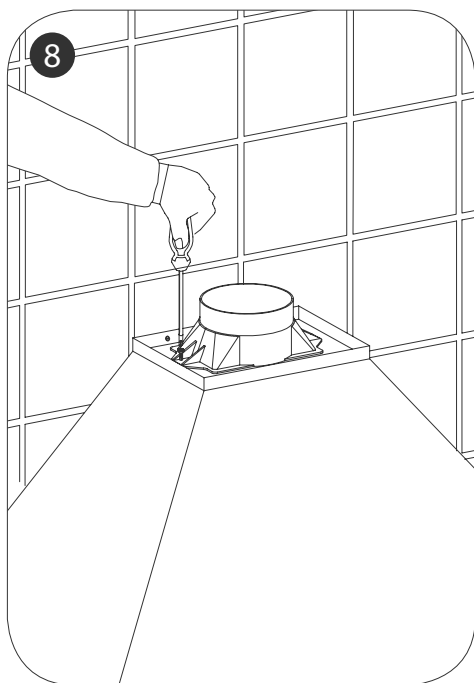
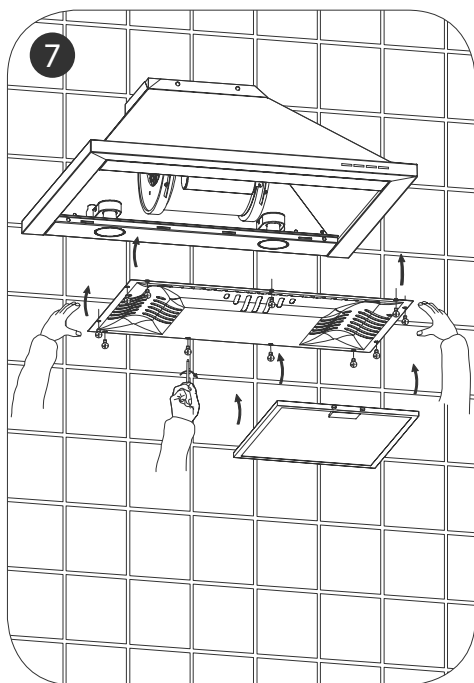
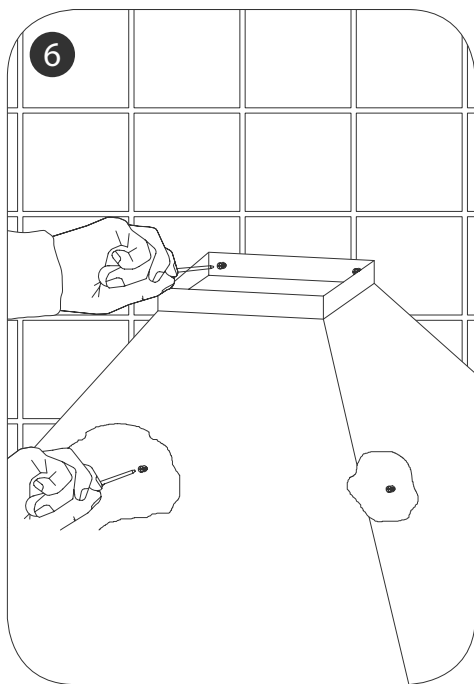
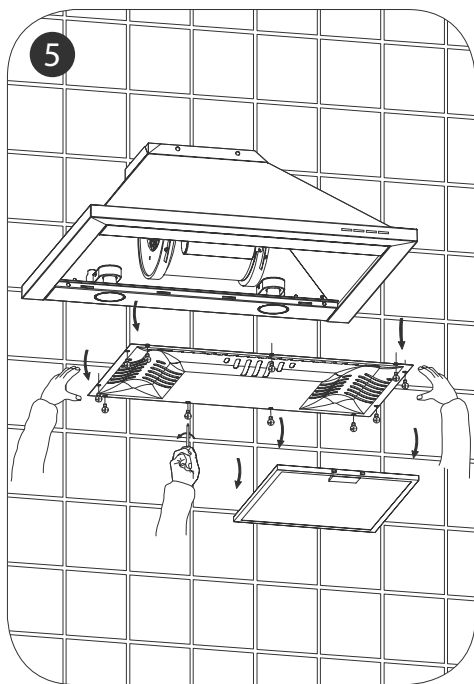
**Οδηγίες εγκατάστασης  
και οδηγίες χρήσης (EL)**

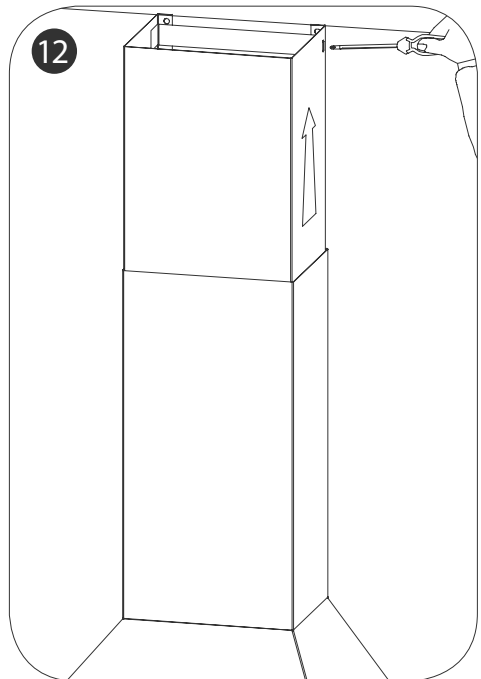
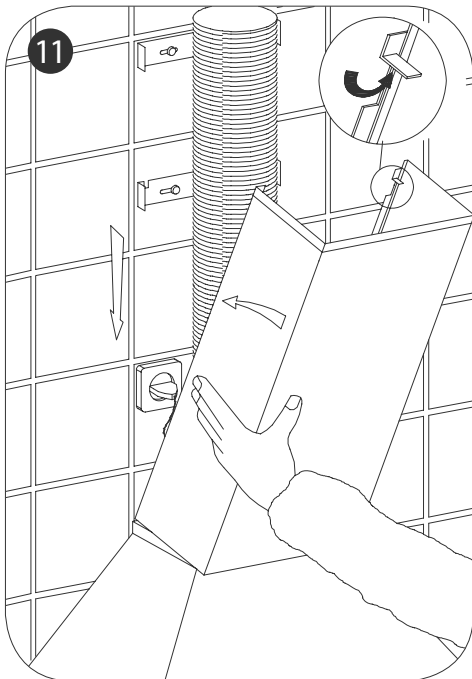
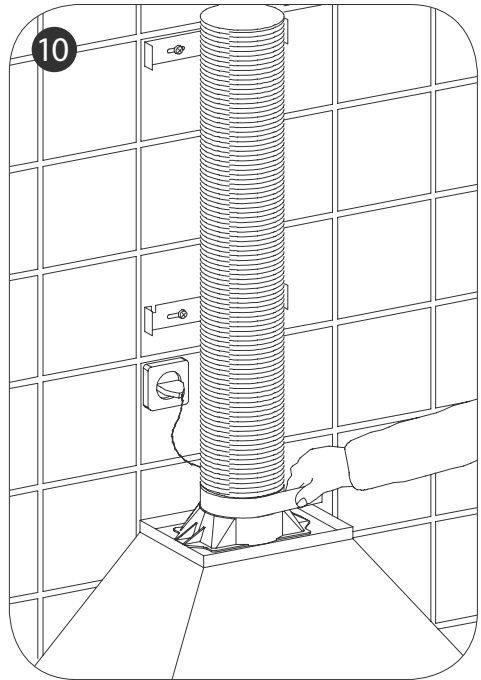
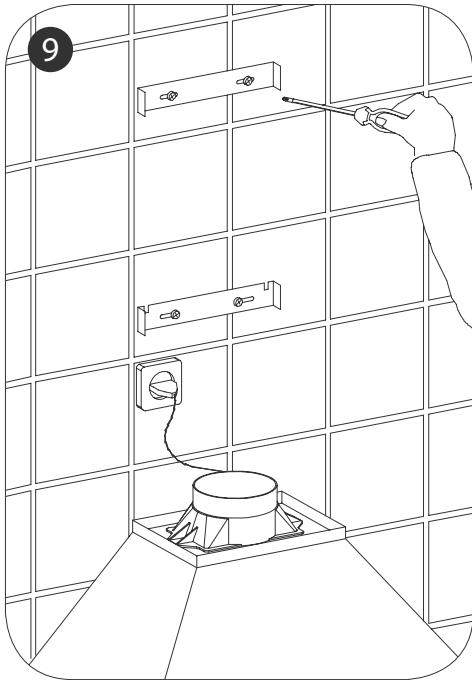
**Designer wall canopy**  
HC90CGX1 & HC60CGX1 models

**NZ AU EU**

<b>EN</b>	<b>English</b> Installation instructions	<b>Page 4 – 12</b> Page 1 – 3
<b>ES</b>	<b>Español</b> Instrucciones para la instalación	<b>Pág 13 – 16</b> Pág 1 – 3
<b>DE</b>	<b>Deutsch</b> Einbauanleitung wartung	<b>Seite 17 – 23</b> Seite 1 – 3
<b>FR</b>	<b>Français</b> Conseils d'installation	<b>Page 24 – 29</b> Page 1 – 3
<b>IT</b>	<b>Italiano</b> Istruzioni per l'installazione	<b>Pagina 30 – 35</b> Pagina 1 – 3
<b>NL</b>	<b>Nederlands</b> Installatievoorschriften	<b>Pagina 36 – 41</b> Pagina 1 – 3
<b>DA</b>	<b>Dansk</b> Installationsanvisninger	<b>Side 42 – 47</b> Side 1 – 3
<b>FI</b>	<b>Suomi</b> Asennusohjeet	<b>Sivu 48 – 53</b> Sivu 3 – 5
<b>SV</b>	<b>Svenska</b> Installationsinstruktioner	<b>Sidorna 54 – 59</b> Sidorna 3 – 5
<b>NO</b>	<b>Norsk</b> Installasjonsanvisninger	<b>Side 60 – 65</b> Side 1 – 3
<b>EL</b>	<b>Ελληνικά</b> Οδηγίες εγκατάστασης	<b>Σελίδα 66 – 71</b> Σελίδα 1 – 3
<b>IL</b>	<b>Hebrew</b> Üzembhelyezési	<b>Page 72 – 75</b> Page 1 – 3







Safety and warnings	5
Preparing to install	7
Operating your wall canopy	8
Cleaning and maintenance	9
Manufacturer's Warranty	10
Customer Care	11

## ***Important!***

### ***SAVE THESE INSTRUCTIONS***

*The models shown in this User Guide may not be available in all markets and are subject to change at any time. For current details about model and specification availability in your country, please visit our local website listed on the back cover or contact your local Fisher & Paykel dealer.*

**⚠ WARNING!****Electrical Shock Hazard**

All electrical work must be done in accordance with local and/or national electrical codes as applicable. For safety, this product must be earthed. If you are unfamiliar with methods of installing electrical wiring, employ the services of a qualified electrician. Turn off power at service entrance before installing wiring or servicing this product.

**⚠ WARNING!****Weight Hazard**

The wall canopy is heavy. Please ensure adequate care is taken when installing the wall canopy to prevent personal injury. The wall canopy must be installed onto a solid wall, stud, beam or truss. Weight of the product is 14.8 kg (HC60) / 17.2 kg (HC90).

## Important safety precautions

- Please read the entire set of instructions before installing the wall canopy.
- Ducting accessories are not supplied. All ducting must comply with local requirements and building codes.
- Before connecting any pipes, consult municipal ordinances to ensure that any applicable regulations concerning the discharge of exhaust air are adhered to and request permission from the person in charge of the building.
- Exhaust air must not be discharged into an existing flue that is used for exhausting fumes from appliances burning gas or other fuels.
- There must be adequate ventilation of the room when the wall canopy is used at the same time as appliances burning gas or other fuels. (A partial vacuum in the room could result in too high a concentration of gas in the air).
- When the canopy is turned on at the same time as other appliances powered by energy other than electricity, the air outlet must not be greater than 4 Pa (4x10<sup>-5</sup> bar).
- The minimum distance between the cooktop surface and the filters of the wall canopy shall be 600 mm, or 650 mm if installed over a gas cooktop (except for wall canopy available to Australia market, 600mm).
- Stainless steel is very easily damaged during installation if abraded or knocked by tools. It is recommended to protect the top of the canopy with cardboard or polystyrene during the installation to minimise the risk of damage occurring.
- To comply with electrical safety regulations, this canopy must be plugged into a socket near the appliance. The socket must be accessible, or have an accessible isolating switch, to enable the end user to isolate the canopy from the power for the purpose of internal cleaning or maintenance.
- A power outlet should be within 750 mm of the motor assembly and can be either on the wall, behind the chimney or in the ceiling.

## Safety and warnings

- *Always switch the power off prior to installation, servicing or cleaning the wall canopy.*
- *If the supply cord of this equipment is damaged it must only be replaced by the manufacturer, its service agent or similarly qualified person in order to avoid a hazard.*
- *Children must be supervised to ensure that they do not play with the hood.*
- *This canopy is not designed to be used by people (including children) with reduced physical, sensorial or mental capacity, or who lack experience or knowledge about it, unless they have had supervision or instructions on how to use the hood by someone who is responsible for their safety.*
- *You must read the details concerning the method and frequency of cleaning.*
- *There is a fire risk if cleaning is not carried out in accordance with the instructions.*
- *Never leave frying food unattended since grease can overheat and catch fire. The risk of fire is even greater in the case of used oil.*
- *Do not flambé under the wall canopy.*
- *Never use the wall canopy without the filters in place.*
- *During climatic conditions causing electrical interference, it is possible that the device may stop working. By switching the device OFF and ON the device will resume normal operation safely.*
- *During an electrostatic discharge (ESD) it is possible that the device will stop working. By switching the device OFF and ON the device will again work as intended. There will be no risk hazard presenting in the product.*
- *CAUTION: Accessible parts may become hot when used with cooking appliances.*



Please read this instruction manual carefully in order to obtain the best results from the use of the wall canopy.

If you need any technical help or would like more information about our products, please do not hesitate to contact your local Fisher & Paykel retailer.

## Preparing the wall canopy for installation

Before installing your wall canopy:

- Please read the instructions carefully.
- Unpack the canopy and check that all functions are working.
- Ensure that the voltage (V) and the frequency (Hz) indicated on the serial plate match the voltage and frequency at the installation site.
- Check that the area behind the installation surface to be drilled is clear of any electrical cables or pipes, etc.
- The stainless steel and glass surfaces of the canopy are very easily damaged during installation if grazed or knocked by tools. Please take care to protect the surfaces during installation.
- Protect the cooktop surface below with cardboard, or the like, to prevent damage occurring whilst the wall canopy is being installed above.

The manufacturer shall not be liable for failure to observe all safety regulations in force for the correct and normal operation of electrical parts.

## Ducting options

### Recirculation

To recirculate your wall canopy, please purchase a recirculation kit (part no. 791820). The recirculation kit is required to channel the air out through the side-vents at the top of the flue.

Note: a ducting hole is not required in the wall or ceiling if a recirculation kit is fitted.

### Ducting

For ducted installation, it is recommended that you use 150 mm diameter, rigid or semi-rigid ducting. This will require a 160 mm (min) round hole in the ceiling, which the decorative chimney will cover. Care should be taken to align the canopy with the decorative chimney allowing sufficient clearance to accommodate the ducting.

For optimal efficiency, use smooth-wall, solid galvanized or plastic ducting for reduced noise and increased airflow. Flexible ducting should only be used as a last resort (ie in difficult installations) and if used, ensure that it is pulled tight.

The smoother, straighter and shorter the ducting the quieter and more efficient the wall canopy will perform.

All ducting must comply with local requirements and building codes.

## Operating your wall canopy

### Soft touch button control panel

- Light button On/Off (ref. A).
- Power button On/ Off (ref. B).
- Fan speed decrease button (ref. C).
- Display screen (ref. D).  
Indicates the fan speed setting.
- Fan speed increase button (ref. E).
- Max fan speed button (ref. F).  
The fan will automatically increase to highest fan speed setting.
- Timer button (ref. G).  
The fan will operate for 5 minutes at the current speed and 5 minutes at each of the lower speeds before automatically switching off.

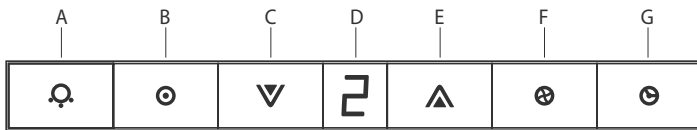


Fig.1 Touch control panel

## ***Important!***

*Never use abrasive or oil based cleaners*

### **Maintenance**

Before performing any cleaning or maintenance on your wall canopy, ensure that the power supply is switched OFF to the hood.

The wall canopy should be cleaned regularly using a mild, liquid detergent to avoid a build up of grease occurring. Grease deposits are corrosive which can damage to your wall canopy.

Note: in areas of high humidity or coastal environments, cleaning should be carried out frequently.

### **Aluminium filters**

Depending on use, and at least once a month, the aluminium grease filters should be removed and cleaned in a dishwasher or with hot soapy water.

If washed in a dishwasher, the filters should be placed in an upright position to prevent food from falling on them.

After rinsing and drying, replace the filters by reversing the following instruction for removal.

Note: some discolouration of the frames may occur.

Removing the aluminium filters:

- 1 Pull the relative catch, tilting it downwards until it disengages from the supports.
- 2 Reverse these instructions when refitting the filters.

### **Carbon filters**

Active carbon filters are disposable items designed to remove grease and odours from cooking vapours before the air is channelled back into the kitchen. The active carbon filters must be replaced periodically to work properly, at least once every three months, depending on the frequency with which the wall canopy is used.

Accessory	Part number
Recirculation kit	791820
Replacement carbon filter	791772
Replacement aluminium filter	791773
Replacement light bulb	791822

### **Replacing the light bulb**

- 1 Before changing the light bulb, ensure the wall canopy is disconnected from the power supply.
- 2 Remove the aluminium grease filters.
- 3 Unscrew and remove the easy clean interior panel.
- 4 Replace light bulbs with maximum 50 Watts.
- 5 Refit the easy clean interior panel and the aluminium filters.

Note: replacement bulbs are not covered by warranty.

## Manufacturer's Warranty

You automatically receive a 2 year Manufacturer's Warranty with the purchase of this Product covering parts and labour for servicing within the country of purchase.

### Fisher & Paykel undertakes to:

Repair or, at its option, replace without cost to the owner either for material or labour any part of the Product, the serial number of which appears on the Product, which is found to be defective within TWO YEARS of the date of purchase.

**Note:** this Warranty is an extra benefit and does not affect your legal rights.

### This Warranty DOES NOT cover

- A Service calls which are not related to any defect in the Product. The cost of a service call will be charged if the problem is not found to be a Product fault. For example:
  1. Correcting the installation of the Product.
  2. Instructing you how to use the Product.
  3. Replacing house fuses or correcting house wiring or plumbing.
  4. Correcting fault(s) caused by the user.
  5. Noise or vibration that is considered normal, eg drain/fan sounds, refrigeration noises or user warning beeps.
  6. Correcting damage caused by pests, eg rats, cockroaches, etc.
  7. Replacement light bulbs.
- B Defects caused by factors other than:
  1. Normal domestic use or
  2. Use in accordance with the Product's User Guide.
- C Defects to the Product caused by accident, neglect, misuse or Act of God.
- D The cost of repairs carried out by non-authorised repairers or the cost of correcting such unauthorised repairs.
- E Normal recommended maintenance as set out in the Product's User Guide.
- F Repairs when the appliance has been dismantled, repaired or serviced by other than a Fisher & Paykel Authorised Repairer or the selling dealer.
- G Pick-up and delivery.
- H Transportation or travelling costs involved in the repair when the Product is installed outside the Fisher & Paykel Authorised Repairer's normal service area.

This Product has been designed for use in a normal domestic (residential) environment. This Product is not designed for commercial use (whatsoever). Any commercial use by a Customer will affect this Product's Warranty.

Service under this Manufacturer's Warranty must be provided by a Fisher & Paykel Authorised Repairer (refer to the 'Customer Care' section at the back of this book). Such service shall be provided during normal business hours. This Warranty certificate should be shown when making any claim.

### For Australian Customers

This Warranty is an extra benefit and does not affect your legal rights. Our goods come with guarantees that cannot be excluded under the Australian Consumer Law. You are entitled to a replacement or refund for a major failure and for compensation for any other reasonably foreseeable loss or damage. You are also entitled to have the goods repaired or replaced if the goods fail to be of acceptable quality and the failure does not amount to a major failure.

**Please keep this User Guide in a safe place.**

## Before you call for service or assistance...

Check the things you can do yourself.  
Refer to your User Guide and check:

- 1 Your appliance is correctly installed.
- 2 You are familiar with its normal operation.



If after checking these points you still need assistance, please refer to your nearest Fisher & Paykel Authorised Repairer, or contact us through our local website listed on the back cover.

### In New Zealand if you need assistance...\*

Call your Fisher & Paykel retailer who is trained to provide information on your appliance, or if we can be of any further help, please contact our Customer Care Centre,

**Toll Free:** 0800 FP CARE or 0800 37 2273 **Fax:** (09) 273 0656

**Email:** customer.care@fp.co.nz

**Postal address:** PO Box 58732, Botany, Manukau 2163

### If you need service...\*

Fisher & Paykel has a network of independent Fisher & Paykel Authorised Repairers whose fully trained technicians can carry out any service necessary on your appliance. Your dealer or our Customer Care Centre can recommend a Fisher & Paykel Authorised Repairer in your area.

### In Australia if you need assistance...\*

Call the Fisher & Paykel Customer Care Centre and talk to one of our Customer Care Consultants.

**Toll Free:** 1 300 650 590

**Fax:** (07) 3826 9298

**Email:** customer.care@fp.com.au

**Postal Address:** PO Box 798, Cleveland QLD 4163

### In United Kingdom if you need assistance...\*

**Phone:** (0845) 066 2200

**Fax:** (0845) 331 2360

**Email:** customer.care@fisherpaykel.co.uk

**Postal address:** Fisher & Paykel Appliances Ltd, Maidstone Road, Kingston, Milton Keynes, Buckinghamshire, MK10 0BD

### In Ireland if you need assistance...\*

**Phone:** 1800 625 174 or 01-8077960

**Fax:** 1800 635 012

**Email:** customer.care@fisherpaykel.ie

**Postal address:** Fisher & Paykel Appliances, Unit D2, North Dublin Corporate Park, Swords, Co. Dublin

## For the rest of the world...\*

Call your Fisher & Paykel Retailer/Dealer from whom you purchased the product. They are trained to provide information on your appliance. If we can be of any further help, please contact us on:

**Phone:** +64 9 273 0660

**Fax:** +64 9 273 0580

**Email:** international.enquiries@fp.co.nz

**Postal Address:** Fisher & Paykel Appliances Ltd, PO Box 58550, Botany, Manukau 2163, New Zealand

## If you need service...\*

Fisher & Paykel has a network of qualified Fisher & Paykel Authorised Repairers responsible for servicing only Fisher & Paykel branded appliances. Our Customer Care Centre can recommend a qualified Fisher & Paykel Authorised Repairer in your area.

\*If you call, write or contact our website please provide: your name and address, model number, serial number, date of purchase and a complete description of the problem. This information is needed in order to better respond to your request for assistance.

## Product details

Fisher & Paykel Appliances, Ltd

### Model/Serial No.

Date of Purchase \_\_\_\_\_ Purchaser \_\_\_\_\_

Dealer \_\_\_\_\_ Suburb \_\_\_\_\_

Town \_\_\_\_\_ Country \_\_\_\_\_

## Campana extractora decorativa

Estimado cliente:

Tenemos la certeza que la adquisición de nuestra campana extractora va a satisfacer lenamente sus necesidades; para ello le rogamos lea atentamente las instrucciones del manual, con lo cual obtendrá un resultado óptimo en la utilización de la misma.

## Instrucciones para la instalación, mantenimiento y su uso

Si necesita algún tipo de asistencia técnica o desea más información sobre nuestros productos, no dude en contactar con nuestro distribuidor oficial.

## Indicaciones generales

Antes de instalar y usar la campana, debe asegurarse que la tensión (V) y la frecuencia (Hz) indicadas en la placa de características correspondan a la tensión y la frecuencia del lugar donde se va a instalar el producto.

La placa de características con los datos técnicos se encuentra en el interior del producto. Para un mayor rendimiento de la extracción de humos aconsejamos que la instalación del tubo sea de un diámetro no inferior a 120 mm. También aconsejamos que el tubo sea de PVC rígido

## Conexión eléctrica

Conectar el cable de la campana a una base de enchufe o a un interruptor bipolar que deberá tener como mínimo una distancia de apertura de contactos de 3 mm.

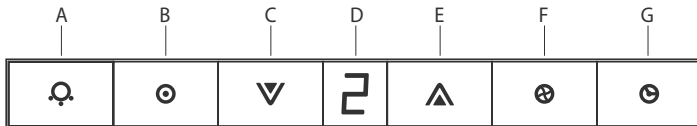
El fabricante no se hace responsable si no se observan todas las normas de seguridad vigente y necesaria para el correcto y normal funcionamiento de la parte eléctrica.

ES

Este panel está situado en la parte frontal de la campana y comprende:

- Pulsador para la lámpara de iluminación (ref. A).
- Pulsador para el apagado / encendido del motor (ref. B).
- Pulsador para la reducción de la velocidad del motor (ref. C).
- Indicador de la velocidad del motor (ref. D).
- Pulsador para el aumento de la velocidad del motor (ref. E).
- Pulsador para la activación directa de la velocidad TURBO del motor (ref. F).
- Pulsador para la temporización del motor (ref. G).

La campana funcionará 5 minutos en la velocidad en curso y 5 minutos en cada una de las inferiores hasta el paro total.





## **Importante!**

- *No conectar la campana a una chimenea de humos, tuberías de aireación o conductos de aire caliente. Antes de conectar a las tuberías, consultar las ordenanzas municipales sobre salida de aires y pedir permiso a la persona responsable del edificio. Asegúrese de que la ventilación es apropiada incluso en el caso de utilizar simultáneamente la campana con otro producto.*
- *No freír nunca dejando los recipientes sin vigilancia ya que el aceite puede recalentarse o incendiarse. En el caso de aceite ya usado el riesgo de combustión es más elevado.*
- *No utilizar nunca la campana en ambientes donde funcionen ya aparatos con descargas conectadas al exterior a menos que no se pueda asegurar una perfecta ventilación de dicho ambiente.*
- *Para evitar posibles incendios, todos estos consejos y la limpieza periódica de los filtros de grasa deben seguirse rigurosamente.*
- *Durante una descarga electrostática (ESD) es posible que este aparato deje de funcionar. Apague el aparato (OFF) y vuelva a encenderlo (ON) y funcionará correctamente. No hay ni habrá posibilidad de riesgo alguno.*
- *Si se produce la avería del cable de suministro eléctrico, éste deberá ser cambiado por un servicio oficial o un agente autorizado.*
- *Nunca flamear bajo la campana extractora.*
- *El aparato debe ser colocado de tal manera que la toma de corriente sea accesible.*
- *La campana debe instalarse a una distancia mínima de 65cm. de la superficie de la cocción.*
- *En condiciones meteorológicas que causen interferencias eléctricas, es posible que el aparato deje de funcionar. Apagando el aparato (OFF) y volviéndolo a encender (ON) se restablecerá su funcionamiento normal sin riesgo alguno.*
- *Este aparato no está destinado para ser usado por personas (incluidos niños) cuyas capacidades físicas, sensoriales o mentales estén reducidas, o carezcan de experiencia o conocimiento, salvo si han tenido supervisión o instrucciones relativas al uso del aparato por una persona responsable de su seguridad.*
- *Los niños deberían ser supervisados para asegurar que no jueguen con el aparato.*
- *El aire evacuado no debe ser enviado por conductos que se utilicen para evacuar los humos de aparatos alimentados por gas u otro combustible (no se aplica a aparatos destinados exclusivamente para descargar el aire en el interior de la habitación).*
- *Cuando la campana de cocina se ponga en funcionamiento al mismo tiempo que otros aparatos alimentados por una energía distinta de la eléctrica, la salida de aire no debe ser superior a 4 Pa ( $4 \times 10^{-5}$  bar).*
- *No utilizar nunca la campana en ambientes donde funcionen ya aparatos con descargas conectadas al exterior a menos que no se pueda asegurar una perfecta ventilación de dicho ambiente.*
- *Esta campana solo se puede instalar encima de encimeras eléctricas o de gas de cómo máximo de 4 fuegos.*
- *Si la campana extractora está instalada sobre un elemento de cocción a gas, la distancia mínima entre la superficie de soporte de los elementos de cocción y la parte inferior de la campana, debe ser como mínimo de 65cm. Si las instrucciones de instalación del elemento de cocción a gas indican una distancia superior, se debe tener en cuenta.*
- *Si la campana extractora está instalada sobre un elemento de cocción eléctrico, la distancia mínima que debe dejarse entre la superficie de soporte de los elementos de cocción y la parte inferior de la campana está descrita en la plantilla de montaje.*
- *Los reglamentos respecto a la evacuación de aire tienen que ser respetados.*

## **Limpieza**

Siempre antes de efectuar cualquier operación asegurarse de que el cable de alimentación no esté conectado y que el inter-ruptor esté en posición de paro. Limpiar la parte externa con un detergente líquido no corrosivo y evitar el uso de productos de limpieza con abrasivos.

### **Cambio de la lámpara**

Antes de sustituir la lámpara asegurarse de que la campana no esté conectada. Quitar el filtro de grasa y cambiar la lámpara usando una lámpara de potencia igual a la que se indica en las características técnicas. Colocar el filtro nuevamente en su lugar.

### **Limpieza del filtro de grasa**

En virtud del uso y como mínimo cada mes, los filtros de grasa deberán ser desmontados y lavados en lavavajillas o en agua caliente y detergente. En el caso de utilizar lavavajillas, es recomendable colocarlos en posición vertical para evitar que los restos de comida se depositen sobre el mismo. Después de haberlos enjuagado y secado colocarlos nuevamente en su lugar, actuando de forma inversa que al desmontarlos.

Los filtros de carbón activo deben ser sustituidos periódicamente para su correcto funcionamiento, al menos cada tres meses (según la frecuencia de utilización de la campana).

### ***Aviso importante para campanas con lámparas halógenas***

*En caso de sustitución de las lámparas halógenas, éstas deben ser sustituidas por lámparas con reflector de aluminio, nunca por lámparas dicroicas, para evitar un sobrecalentamiento innecesario en el portalámparas.*

*El fabricante declina toda responsabilidad en caso de que no sean observadas las indicaciones descritas para la instalación, mantenimiento y uso adecuadas de la campana extractora.*

El fabricante declara que este producto cumple todos los requisitos esenciales sobre el material eléctrico de baja tensión prescritos en al directiva 2006/95/CEE del 12 de diciembre del 2006 y de compatibilidad electromagnética prescrita por la directiva 2004/108/CEE del 15 de diciembre del 2004.

Si necesita algún tipo de asistencia técnica o desea más información sobre nuestros productos, no dude en contactar con nuestro distribuidor oficial.

*El fabricante se reserva el derecho de efectuar cualquier mejora tecnológica o modificación sin previo aviso.*

## Dekorative abzugshaube

Geehrte(r) Kunde(in),

Wir sind überzeugt davon, dass Sie mit dem Kauf unserer Abzugshaube die richtige Wahl getroffen haben und Sie mit dem Gerät zufrieden sein werden. Um einen ordnungsgemäßen Betrieb des Geräts zu garantieren, ist es notwendig, die vorliegende Bedienungsanleitung sorgfältig zu lesen.

DE

## Einbauanleitung wartung und gebrauch

### Allgemeine Hinweise

Vor Installation und Inbetriebnahme der Abzugshaube müssen Spannung (V) und Frequenz (Hz.) überprüft werden. Diese Angaben befinden sich auf dem Typenschild und müssen mit den Spannungs- und Frequenzwerten des Installationsorts übereinstimmen.

Das Typenschild mit den technischen Daten befindet sich im Inneren des Geräts.

Für eine optimale Leistung des Dunstabzugs empfehlen wir den Einbau eines Rohrs mit einem Durchmesser von mindestens 120 mm. Wir empfehlen weiterhin, ein Rohr aus hartem PVC zu verwenden.

### Elektroanschluss

Das Kabel der Abzugshaube an eine gut zugängliche Steckdose oder eine allpolige Trennvorrichtung mit einer Kontaktöffnungsweite von mindestens 3 mm anschließen.

Der Hersteller haftet nicht für Schäden, wenn nicht alle geltenden Sicherheitsvorschriften zur Gewährleistung eines korrekten und einwandfreien Betriebs der Elektrik eingehalten werden.

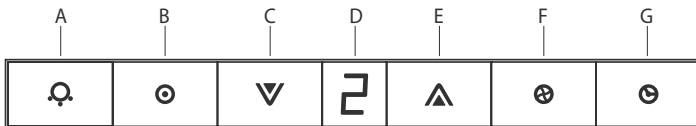
## Bedienungsfeld zur regelung per knopfdruck

Dieses Bedienungsfeld befindet sich auf der Vorderseite der Abzugshaube und umfasst:

DE

- Schalter für Beleuchtungslampe (Ref. A).
- Ein- /Ausschaltknopf des Motors (Ref. B).
- Schalter für Geschwindigkeitsreduzierung des Motors (Ref. C).
- Geschwindigkeitsanzeige für den Motor (Ref. D).
- Schalter für Geschwindigkeitserhöhung des Motors (Ref. E).
- Schalter für direkte Aktivierung des TURBO Modus des Motors (Ref. F).
- Schalter für Zeiteinstellung des Motors (Ref. G).

Die Abzugshaube funktioniert 5 min mit der eingestellten Geschwindigkeit und jeweils 5 min mit jeder der niedrigeren Geschwindigkeiten bis zum kompletten Stillstand.



## **Wichtig!**

- *Die Abzugshaube darf nicht an einen Schornstein, an Entlüftungsrohre oder Leitungen mit warmer Luft angeschlossen werden. Vor dem Anschluss der Haube an Leitungen müssen die geltenden örtlichen Verordnungen über Luftabzüge ins Freie konsultiert und die Genehmigung des Hausbesitzers/der Eigentümerversammlung eingeholt werden. Stellen Sie sicher, dass ausreichende Belüftung garantiert ist, auch bei Verwendung der Haube zusammen mit einem anderen Gerät.*
- *Beim Braten mit Fett die Pfannen bzw. Töpfe niemals unbeaufsichtigt lassen. Das Öl könnte sich zu stark erhitzen bzw. entzünden. Bei wieder verwendetem Fett besteht erhöhte Entzündungsgefahr.*
- *Die Abzugshaube darf nicht in Räumen verwendet werden, in denen bereits andere Geräte installiert sind, die einen Abzug nach außen haben, sofern nicht für eine ausreichende Belüftung garantiert werden kann.*
- *Um Brandgefahr vorzubeugen, müssen alle Hinweise zu Gebrauch, Wartung und Reinigung der Fettfilter strikt befolgt werden.*
- *Das Gerät kann bei einer elektrostatischen Entladung (ESD) vorübergehend aufhören zu funktionieren. Stellen Sie das Gerät aus (OFF) und wieder an (ON) und es arbeitet wieder korrekt. Es besteht dabei keinerlei Gefahr.*
- *Bei einer Beschädigung des Netzkabel muss dieses durch einen geprüften Techniker oder einen autorisierten Vertreter ausgetauscht werden.*
- *Unter der Abzugshaube darf nicht flambiert werden.*
- *Das gerät muß so montiert wer den, daß der Netzstecker jederzeit erreichbar ist.*
- *Die Haube muß mit einem Mindestabstand von 65 cm vom Her abgebracht.*
- *Achtung! Warnhinweis zum Abluftbetrieb im Anweisungsblatt beachten.*
- *Bei gleichzeitigem betrieb der Dunstabzugshaube im Abluftbetrieb und Feuerstätten darf im Aufstellraum der Unterdruck nicht größer als 4 Pa (4x10<sup>-5</sup> bar) sein.*
- *Unter bestimmten, elektrische Störungen hervorrufenden meteorologischen Bedingungen ist es möglich, dass das Gerät vorübergehend seinen Betrieb einstellt. In diesen Fällen muss das Gerät kurz aus und dann wieder eingeschaltet werden (OFF und ON), worauf es sich erneut mit voller Betriebssicherheit in Gang setzt.*
- *Dieses Gerät darf nicht von Personen (oder Kindern) mit eingeschränkten körperlichen, sensorischen oder geistigen Fähigkeiten bzw. mit mangelnden Kenntnissen und unzureichender Erfahrung bedient werden, es sei denn, es geschieht dies unter der Aufsicht oder nach entsprechender Vertrautmachung mit dem Gerät durch die für deren Sicherheit verantwortliche Person.*
- *Kinder unter Aufsicht halten, damit sie nicht am Gerät herumspielen.*
- *Die Abluft darf nicht über Kanäle geführt werden, die zur Ableitung von Rauch aus mit Gas oder anderen Brennstoffen betriebenen Geräten dienen. (Gilt nicht für Geräte, bei denen die Luft ausschließlich im Raum selbst abgegeben wird.)*
- *Kommt die Abzugshaube gleichzeitig mit anderen nicht mit Strom gespeisten Geräten zum Einsatz, darf der Luftaustritt nicht über 4 Pa (4x10<sup>-5</sup> bar) liegen.*
- *Abzugshaube nicht in Räumen zum Einsatz bringen, in denen bei unzureichender Belüftung bereits andere Geräte mit Abluft nach außen arbeiten.*

- *Diese Abzugshaube darf nur über Elektro oder Gasherden mit maximal 4 Kochstellen zum Einsatz kommen.*
- *Bei einem Einbau der Abzugshaube über einem Gasherd muss der Abstand zwischen der Auflage der Kochstellen und dem unteren Bereich der Abzugshaube mindestens 65 cm betragen. Sofern die Hinweise zum Einbau des Gasherds diesbezüglich einen größeren Abstand vorschreiben, ist diesen Angaben Rechnung zu tragen.*
- *Bei einem Einbau der Abzugshaube über einem Elektroherd ergibt sich der Mindestabstand zwischen der Auflage der Kochstellen und dem unteren Bereich der Abzugshaube aus der entsprechenden Montageschablone.*
- *Den Auflagen zur korrekten Entlüftung ist unter allen Umständen Rechnung zu tragen.*

## Reinigung

Vor jeder Reinigungs- oder Wartungsoperation immer darauf achten, dass das Gerät vom Stromnetz getrennt ist und der Hauptschalter auf Position AUS steht. Das Äußere der Haube mit einem nicht ätzenden flüssigen Mittel reinigen und keine scheuernden Mittel verwenden.

## Auswechseln der lampe

Vor dem Austauschen der Lampe darauf achten, dass das Gerät nicht ans Stromnetz angeschlossen ist. Fettfilter herausnehmen und die Lampe gegen eine Lampe austauschen, die den Anforderungen der Technischen Merkmale entspricht. Filter wieder einsetzen.

## Reinigung des fettfilters

In Abhängigkeit von der Verwendungshäufigkeit aber mindestens einmal pro Monat müssen die Fettfilter ausgebaut und in der Spülmaschine oder von Hand in warmem Wasser mit Spülmittel gewaschen werden. Bei Reinigung in der Spülmaschine wird empfohlen, die Filter senkrecht zu stellen, damit sich keine Essensreste auf ihnen absetzen. Nach der Reinigung sorgfältig abtrocknen und wieder in die alte Position einsetzen.

Die Aktivkohlefilter müssen regelmäßig ausgewechselt werden, damit sie korrekt funktionieren können, und zwar mindestens alle drei Monate (je nachdem wie oft die Abzugshaube benutzt wird).

## **Wichtiger hinweis für abzugshauben mit halogenlampen**

*Halogenlampen können gegen Lampen mit Aluminiumreflektor ausgetauscht werden, aber auf keinen Fall gegen Kaltlichtspiegellampen, die zu einer unnötigen Erwärmung des Lampenhalters führen.*

*Der hersteller lehnt jegliche haftung ab in fällen, in denen die hier beschriebenen anweisungen zu installation, wartung und gebrauch der abzugshaube nicht befolgt werden.*

Der Hersteller erklärt hiermit, dass dieses Produkt allen wesentlichen Auflagen der EG-Niederspannungsrichtlinie 2006/95/EG vom 12. Dezember 2006 bzw. der EMV-Richtlinie 2004/108/EG vom 15. Dezember 2004 entspricht.

Falls Sie Kundendienstleistungen benötigen oder weitere Informationen über unsere Produkte wünschen, wenden Sie sich bitte an unseren Vertragshändler.

*Der hersteller behält sich das recht vor, seine geräte ohne vorankündigung durch technische neuerungen oder korrekturen zu verändern.*

Mit dem Kauf dieses Geräts erhalten Sie automatisch eine für 2 Jahre gültige Herstellergarantie, die Ersatzteile und Service-Aufwand im Land, wo das Gerät erworben wurde, einschließt.

DE

## Herstellerverpflichtung:

Der Hersteller erklärt sich hiermit einverstanden, innerhalb von ZWEI JAHREN alle als defekt befundenen und durch Seriennummern identifizierten Teile dieses Produkts kostenfrei hinsichtlich Ersatzteil- und Service-Aufwand zu reparieren.

## Folgende Umstände sind über diese Garantieerklärung nicht abgedeckt:

- A** Serviceleistungen, die nicht in unmittelbarem Zusammenhang mit einem Produktdefekt stehen und daher dem Käufer berechnet werden müssen. Dazu zählen unter anderem:
  1. Die korrekte Installation des Produkts.
  2. Eine Einführung in die Funktionsweise des Produkts.
  3. Die Reparatur von haushaltseigenen Sicherungen, Stromkabeln und Rohren oder das Austauschen von Glühbirnen.
  4. Die Behebung von durch den Benutzer verursachten Defekten.
  5. Eine Änderung der Betriebseinstellung des Produkts.
  6. Die Reparatur von nicht autorisierten Produktmodifikationen.
  7. Eine Prüfung normaler Betriebsgeräusche oder -Vibrationen wie z. B. Geräusche des Kühlsystems oder akustische Warnsignale.
  8. Die Behebung von Schäden durch Ungeziefer wie z. B. Ratten, Küchenschaben, etc.
- B** Defekte, die auftreten, wenn die Bedienungsanleitung nicht beachtet wurde. Unter der normalen Anwendung des Geräts verstehen wir:
  1. Die normale Anwendung im Haushalt oder
  2. Die Anwendung gemäß der dem Produkt mitgelieferten Bedienungsanleitung.
- C** Defekte aufgrund von Unfällen, Fahrlässigkeit oder höherer Gewalt.
- D** Defekte/Mangelfunktionen in Folge eines Gerätebetriebs mit Stromspannungen die oberhalb oder unterhalb der Gerätespezifikation liegen.
- E** Reparaturkosten für nicht autorisierte Reparatur-Fachhändler oder die Kosten für die Korrektur von nicht autorisierten Reparaturmaßnahmen.
- F** Reisekosten und Auslagen, wenn das Produkt an schwer zugänglichen Orten installiert ist. (z. B. in Flugzeugen, auf Fähren oder in abgelegenen Gebieten).
- G** Normale Wartungsarbeiten, wie in der Bedienungsanleitung aufgeführt.

Sollten Sie ein Problem mit einem Produkt von uns haben, kontaktieren Sie bitte Ihren autorisierten Fachhändler oder Installationsfachmann. Für alle das Produkt betreffenden Anschlusstechniken, wie z. B. Stromversorgung und Abluftinstallationen ist der Käufer eigenverantwortlich.

Wir sind nicht verantwortlich für Folge- und Begleitschäden (die Kosten für Reparatur oder Ersatz von anderem Eigentum oder andere Auslagen, wenn sich unser Produkt als defekt erweist).



## So erhalten Sie Hilfe und Rat

Bevor Sie eine Serviceleistung in Anspruch nehmen, führen Sie bitte eine selbständige Kontrolle mit Hilfe Ihrer Bedienungsanleitung durch und kontrollieren dabei bitte, dass...

- Ihr Produkt ordnungsgemäß installiert ist.
- Sie sich mit der normalen Funktionsweise auskennen.
- Sie den Abschnitt „Problem-Checkliste“ gelesen haben.

Sollten Sie dennoch Hilfe benötigen, gehen Sie bitte wie nachfolgend beschrieben vor:

### Europa

[www.fisherpaykel.eu](http://www.fisherpaykel.eu)

Bitte halten Sie folgende Informationen bereit, wenn Sie uns kontaktieren: Ihren Namen und Adresse, die Modellnummer, die Seriennummer, das Kaufdatum und eine vollständige Beschreibung des Problems. Durch die Angabe dieser Informationen helfen Sie uns, Ihr Problem schnellstmöglich zu lösen.

### Kommerzielle Einsatzzwecke

Bei einem Einsatz des Produkts zu kommerziellen Zwecken (alle Einsatzmöglichkeiten außer dem normalen Betrieb in einem Ein-Familien-Haushalt) erklärt sich Fisher & Paykel hiermit einverstanden, alle als defekt befundenen und durch Seriennummer identifizierten Teile dieses Produkts kostenfrei hinsichtlich Ersatzteil- und Service-Aufwand zu reparieren oder zu ersetzen. Die Gültigkeitsdauer dieser Reparatur-Garantie beträgt 1 Jahr, beginnend mit dem Kaufdatum.

Fisher & Paykel behält sich das Recht vor, als defekt befundene Teile des Produkts zu reparieren oder zu ersetzen, das gesamte Produkt auszutauschen oder dem Käufer den vollen Kaufpreis zu erstatten (wobei hier komplementäre Kosten, wie z. B. Installationskosten, nicht berücksichtigt werden können). Alle in dieser Herstellergarantie von Fisher & Paykel aufgeführten Servicearbeiten dürfen nur von Fisher & Paykel oder autorisierten Fachhändlern vorgenommen werden und beziehen sich auf normale Geschäftsöffnungszeiten.

### Ausschließlichkeit dieser Garantieerklärung

Bezüglich der Umstände von Produktdefekten gilt diese Garantie zwischen Fisher & Paykel und dem Käufer als alleingültig. Kein Angestellter (oder offizieller Vertragspartner) von Fisher & Paykel ist dazu berechtigt, Änderungen oder Zusätze dieser Herstellergarantie vorzunehmen.

## Hotte d'extraction décorative

Cher client:

Nous avons la certitude que l'acquisition de notre hotte d'extraction satisfera pleinement vos besoins. Nous vous prions pour cela de lire attentivement les instructions du manuel afin d'obtenir un résultat optimal lors de l'utilisation de celle-ci.

FR

## Instructions pour l'installation, l'entretien et l'utilisation

Si vous avez besoin d'une assistance technique ou d'un complément d'information sur nos produits, n'hésitez pas à contacter notre distributeur officiel.

### Indications generales

Avant d'installer et d'utiliser la hotte, vous devez vous assurer que la tension (V) et la fréquence (Hz.) indiquées sur la plaque de caractéristiques correspondent à la tension et à la fréquence du lieu où la hotte va être installée.

La plaque de caractéristiques avec les données techniques se trouvent à l'intérieur de la hotte.

Pour un meilleur rendement de l'extraction de fumées, nous conseillons que le tube soit en PVC rigide et d'un diamètre minimum de 120 mm.

### Branchement électrique

Le câble de la hotte doit être branché dans une prise de courant ou directement raccordé à un interrupteur omnipolaire qui devra avoir une distance d'ouverture des contacts d'au moins 3 mm.

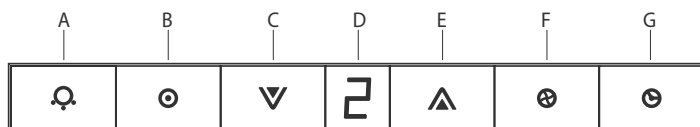
Le fabricant n'est pas responsable dans le cas où les normes de sécurité en vigueur et nécessaires pour un fonctionnement correct et normal de la partie électrique ne sont pas observées.

## Pupitre de commande du bouton électronique 25

Ce panneau est situé sur le devant de la hotte et comprend :

- Bouton pour la lampe d'illumination (réf. A).
- Bouton pour l'arrêt/la marche du moteur (réf. B).
- Bouton pour la réduction de la vitesse du moteur (réf. C).
- Indicateur de la vitesse du moteur (réf. D).
- Bouton pour l'augmentation de la vitesse du moteur (réf. E).
- Bouton pour l'activation directe de la vitesse TURBO du moteur (réf. F).
- Bouton pour la temporisation du moteur (réf. G).

La hotte fonctionnera 5 minutes à la vitesse en cours et 5 minutes à chacune des vitesses inférieures jusqu'à l'arrêt total.



### **Important!**

- *Ne raccordez pas l'évacuation de la hotte à un conduit de fumée, ni à des conduits d'aération ou d'air chaud. Avant de la raccorder au conduit, consultez les arrêtés municipaux sur les sorties d'air et demandez l'autorisation à la personne responsable du bâtiment. Assurez-vous que la ventilation soit adaptée au cas où vous voulez utiliser la hotte avec un autre produit simultanément.*
- *Ne faites jamais frire des aliments en les laissant sans surveillance, car l'huile peut surchauffer voire prendre feu. Dans le cas d'une huile usagée, les risques d'inflammation sont plus élevés.*
- *N'utilisez jamais la hotte dans des milieux où fonctionnent également des appareils à décharge connectés à l'extérieur à moins de pouvoir assurer une ventilation parfaite dans ledit milieu.*
- *Afin d'éviter les risques d'incendies, tous ces conseils ainsi que le nettoyage périodique des filtres de graisse doivent être rigoureusement observés.*
- *En cas de décharge électrostatique (modèle ESD), il est possible que la hotte cesse de fonctionner. Éteignez la hotte (OFF) et allumez-la de nouveau (ON), elle fonctionnera alors correctement. Il n'y a aucune sorte de risques en cas de décharge électrostatique.*
- *Si le câble d'alimentation électrique est endommagé, celui-ci devra être impérativement changé par un service officiel ou par un agent autorisé.*
- *Ne jamais faire flamber quoi que ce soit en dessous de la hotte*
- *L'appareil doit être installé de telle manière que la prise soit accessible.*
- *La hotte sera installée à 65cm au moins du plan de cuisson.*
- *Dans des conditions météorologiques provoquant des interférences électriques, il se peut que l'appareil ne fonctionne plus. En éteignant l'appareil (OFF) et en le remettant en marche (ON), son fonctionnement normal sera rétabli sans aucun risque.*
- *Cet appareil n'est pas destiné à être utilisé par des personnes (y compris des enfants) dont les capacités physiques, sensorielles ou mentales sont réduites, ou qui ne possèdent pas d'expérience ou de connaissance, sauf si elles ont été supervisées ou si elles ont reçu des instructions relatives à l'utilisation de l'appareil de la part d'une personne responsable de leur sécurité.*
- *Les enfants devront être supervisés pour s'assurer qu'ils ne jouent pas avec l'appareil.*
- *L'air évacué ne doit pas être envoyé par des conduites utilisées pour évacuer les fumées d'appareils alimentés au gaz ou tout autre combustible (cela n'est pas appliqué aux appareils exclusivement destinés à décharger de l'air à l'intérieur de la pièce).*
- *Quand la hotte est mise en marche en même temps que d'autres appareils alimentés par une énergie différente de l'énergie électrique, la sortie d'air ne doit pas être supérieure à 4 Pa (4x10<sup>-5</sup> bar).*
- *Ne jamais utiliser la hotte dans une pièce où des appareils avec des décharges connectées à l'extérieur fonctionnent déjà, à moins qu'une parfaite ventilation n'y soit assurée.*
- *Cette hotte ne peut être installée qu'au-dessus de plans de cuisson électriques ou à gaz à 4 feux maximum.*
- *Si la hotte est installée sur un élément de cuisson à gaz, la distance minimale entre la surface de support des éléments de cuisson et la partie inférieure de la hotte doit être au moins de 65 cm. Si les instructions d'installation de l'élément de cuisson à gaz indiquent une distance supérieure, en tenir compte.*
- *Si la hotte est installée sur un élément de cuisson électrique, la distance minimale devant être laissée entre la surface de support des éléments de cuisson et la partie inférieure de la hotte est décrite sur le patron de montage.*
- *Les règlements concernant l'évacuation d'air doivent être respectés.*

## Nettoyage

Avant d'effectuer toute opération, assurez-vous toujours que le câble d'alimentation soit débranché et que l'interrupteur soit en position d'arrêt. Lavez la partie externe avec un détergent liquide non corrosif et n'utilisez pas de produit de nettoyage contenant des abrasifs.

## Remplacement d'une lampe

Avant de remplacer la lampe, assurez-vous que la hotte soit débranchée. Enlevez le filtre à graisse et changez la lampe par une lampe de puissance égale à celle indiquée dans les caractéristiques techniques. Remplacez le filtre.

## Nettoyage du filtre de graisse

En fonction de l'utilisation et, au minimum une fois par mois, les filtres à graisse devront être démontés et lavés dans un lave-vaisselle ou à l'eau chaude avec un détergent. Dans le cas où vous utilisez le lave vaisselle, il est recommandé de mettre les filtres en position verticale afin d'éviter que des restes de repas se déposent sur ceux-ci. Après les avoir rincés et séchés, remettez-les en place en agissant à l'inverse de la manière dont vous les avez démontés.

Les filtres à charbon actif sont à changer régulièrement pour que la hotte fonctionne correctement, au moins tous les trois mois (selon la fréquence d'utilisation).

## ***Avis important pour les hottes ayant des lampes halogènes***

***Lorsque vous remplacez les lampes halogènes, celles-ci doivent être remplacées par des lampes à réflecteur en aluminium. Ne jamais utiliser des lampes dichroïques, afin d'éviter une surchauffe du support de la lampe.***

***Le fabricant décline toute responsabilité dans le cas où ne seraient pas observées les indications décrites concernant l'installation, l'entretien et l'utilisation appropriés de la hotte d'extraction.***

Le fabricant déclare que ce produit remplit toutes les conditions essentielles requises par la directive 2006/95/CEE du 12 décembre 2006 sur matériel électrique de basse tension, et par la directive 2004/108/CEE du 15 décembre 2004 sur compatibilité électromagnétique.

Si vous avez besoin d'une assistance technique ou d'un complément d'information sur nos produits, n'hésitez pas à contacter notre distributeur officiel.

***Le fabricant se réserve le droit d'effectuer toute amélioration technologique ou modification sans préavis.***

Vous bénéficiez automatiquement d'une garantie du fabricant de 2 ans à l'achat de cet appareil. Elle couvre les pièces et la main d'œuvre pour l'entretien dans le pays d'achat.

### **Le fabricant s'engage à:**

Effectuer la réparation, sans frais pour le propriétaire en ce qui concerne les matériaux ou la main d'œuvre, de n'importe quelle partie de l'appareil dont le numéro de série figure sur le produit, et qui s'avère défectueux au cours des DEUX ANS suivant la date de l'achat.

### **Cette garantie ne couvre pas :**

- A** Les demandes de service ne concernant pas un défaut du produit. Les coûts d'une demande de service seront facturés si le problème s'avère ne pas être un défaut du produit. Par exemple :
  1. Rectifier l'installation défaillante du produit.
  2. Vous donner des conseils d'utilisation du produit.
  3. Remplacer les fusibles du circuit, réarmer les disjoncteurs, rectifier les circuits où la plomberie de la maison ou remplacer les ampoules.
  4. Corriger les pannes provoquées par l'utilisateur.
  5. Modifier l'installation du produit.
  6. Modifications non autorisées du produit.
  7. Bruits ou vibrations considérés comme normaux, par exemple les bruits de vidange, les bruits de régénération ou les bips d'avertissement de l'utilisateur.
  8. les dégâts provoqués par les animaux nuisibles, par exemple les rats, les blattes, etc.
- B** Défauts provoqués par des facteurs autres que :
  1. L'utilisation domestique normale ou
  2. L'utilisation en conformité avec le guide d'utilisation du produit.
- C** Les défauts du produit dus à un accident, une négligence, des abus, un incendie, une inondation ou une catastrophe naturelle.
- D** Fisher & Paykel ne saurait être tenu responsable de tensions d'alimentation supérieures ou inférieures aux caractéristiques du produit.
- E** Le coût des réparations effectuées par des réparateurs non agréés ou le coût de rectification de ces réparations non autorisées.
- F** Les frais de déplacement et les frais associés engagés lorsque le produit est installé dans un endroit d'accès limité ou restreint (c'est-à-dire vols aériens, frais de ferry, zones géographiques isolées).
- G** L'entretien normal tel qu'il est préconisé dans le guide d'utilisation du produit.

Si vous rencontrez des problèmes d'installation, contactez votre revendeur ou votre installateur. Il est de votre responsabilité de fournir des installations adaptées de raccordement électrique, d'évacuation et autres.

Nous ne sommes pas responsables des dommages consécutifs ou indirects (coût de réparation ou de remplacement des autres biens endommagés si le produit est défectueux ou les dépenses que vous avez engagées du fait que l'appareil était défectueux).

## Comment obtenir un service après-vente ?

Avant de demander une intervention ou une assistance :

Vérifiez les choses que vous pouvez faire vous-mêmes. Consultez votre Guide d'utilisation et vérifiez :

- Que votre appareil est correctement installé
- Que vous êtes familiarisés avec son fonctionnement normal
- Que vous avez lu la liste de contrôle de résolution des problèmes

Si après avoir vérifié ces points, vous avez encore besoin d'assistance, veuillez consulter les informations suivantes :

### Europe

[www.fisherpaykel.eu](http://www.fisherpaykel.eu)

Si vous téléphonez ou que vous écrivez, veuillez fournir : vos nom et adresse, le numéro de modèle, le numéro de série, la date d'achat et une description complète du problème. Ces informations sont nécessaires pour mieux répondre à votre demande d'assistance.

### Usage commercial

Si vous utilisez le produit dans une configuration commerciale (tout usage autre que l'utilisation domestique familiale), nous acceptons de réparer ou remplacer, sans frais de pièces uniquement pour vous, toute pièce défectueuse, le numéro de série figurant sur le produit. Notre responsabilité pour ces réparations expire UN AN à compter de la date de l'achat d'origine.

A notre choix, nous pourrions remplacer la pièce ou le produit, ou bien nous pourrions vous fournir le remboursement intégral du prix d'achat du produit (hors installation ou autres frais). Tout le service après-vente dans le cadre de cette garantie du fabricant sera assuré par Fisher & Paykel ou son agent d'entretien agréé durant les heures ouvrables normales.

### Aucune autre garantie

Cette garantie du fabricant est l'accord complet et exclusif entre vous et nous concernant les défauts du produit. Aucun de nos employés (ou de nos agents d'entretien agréés) n'est autorisé à apporter d'ajouts ou de modifications à cette garantie du fabricant.

## Cappa aspirante decorativa

Egregio Cliente,

Abbiamo la certezza che l'acquisto della nostra cappa aspirante soddisferà pienamente le sue necessità; al riguardo La preghiamo di leggere attentamente le istruzioni del manuale che Le permetteranno di usarla al meglio delle sue prestazioni.

## Istruzioni per l'installazione, manutenzione e uso

IT

### Indicazioni generali

Prima di installare ed usare la cappa, verificare che la tensione (V) e la frequenza (Hz) indicate sulla piastrina delle caratteristiche corrispondano alla tensione ed alla frequenza del luogo in cui il prodotto sarà installato.

La piastrina delle caratteristiche con i dati tecnici si trova all'interno del prodotto.

Per una maggior resa dell'aspirazione dei fumi, si consiglia che il diametro del tubo dell'installazione non sia inferiore a 120 mm. Inoltre, raccomandiamo che il tubo sia di PVC rigido.

### Connessione elettrica

Collegare il cavo della cappa ad una base di presa o ad un interruttore onnipolare che dovrà avere al meno una distanza di apertura dei contatti di 3 mm.

Il fabbricante non assume nessuna responsabilità nel caso in cui non vengano rispettate tutte le norme di sicurezza vigenti e necessarie al corretto e normale funzionamento della parte elettrica.

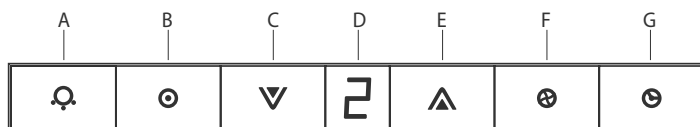


## Pannello di comando del bottone elettronico 31

Questo pannello è situato nella parte frontale della cappa e comprende:

- Pulsante per la lampada di illuminazione (rif. A).
- Pulsante per lo spegnimento / accensione del motore (rif. B).
- Pulsante per la riduzione della velocità del motore (rif. C).
- Indicatore della velocità del motore (rif. D).
- Pulsante per l'aumento della velocità del motore (rif. E).
- Pulsante per la attivazione diretta della velocità TURBO del motore (rif. F).
- Pulsante per la temporizzazione del motore (rif. G).

La cappa funzionerà 5 minuti alla velocità in corso e 5 minuti in ciascuna di quelle inferiori fino all'arresto totale.



### **Importante!**

- *Non collegare la cappa ad un condotto di aspirazione dei fumi, tubi di aerazione o condotti di acqua calda. Prima di collegare i tubi, consultare le ordinanze municipale per la fuoriuscita d'aria e chiedere il permesso alla persona responsabile dell'edificio. Verificare che la ventilazione si buona anche nel caso di uso simultaneo della cappa con un altro prodotto.*
- *Non friggere mai lasciando i recipienti senza vigilanza dato che l'olio può riscaldarsi o incendiarsi. Nel caso d'olio già usato il rischio di combustione è molto più elevato.*
- *Non usare mai la cappa in ambienti in cui siano in funzione apparecchi con scariche collegate all'esterno al meno che non si possa assicurare una perfetta ventilazione di questo ambiente.*
- IT ▪ *Al fine di evitare eventuali incendi, tutti questi consigli e la pulizia periodica dei filtri del grasso dovranno essere rispettati rigorosamente.*
- *In caso di scarica elettrostatica (ESD) può succedere che l'apparecchio non funzioni. Spegnerlo (OFF) e riaccenderlo (ON) e riprenderà il suo normale funzionamento. Non vi è e non vi sarà nessuna possibilità di pericolo.*
- *In caso di avaria di un cavo elettrico, dovrà essere sostituito da un servizio ufficiale o da un agente autorizzato.*
- *Non si deve cucinare nessun alimento fiammeggiandolo sotto l'aspiratore.*
- *L'apparato deve essere posizionato in maniera tale che la parte di cavo di alimentazione sia accessibile.*
- *L'aspiratore deve essere installato a una distanza minima di 65cm dalla superficie superiore del piano di cottura.*
- *In caso di interferenze elettriche causate da condizioni meteorologiche, può succedere che l'apparecchio smetta di funzionare. Spegnendolo (OFF) e accendendolo di nuovo (ON) si farà ritorno al funzionamento normale, senza rischio alcuno.*
- *Questo apparecchio non dovrà essere usato da persone (incluso bambini) con capacità fisiche, sensoriali o mentali ridotte, o che non abbiano la sufficiente esperienza o conoscenza. Potranno usarlo sotto sorveglianza o se istruite sul suo uso da una persona responsabile della loro sicurezza.*
- *I bambini dovrebbero essere sorvegliati, per avere la certezza che non giocano con l'apparecchio.*
- *L'aria aspirata non dovrà passare attraverso tubi utilizzati per estrarre i vapori da apparecchi alimentati a gas o altro combustibile (non si applica agli apparecchi destinati solo a scaricare l'aria all'interno della stanza).*
- *In caso di funzionamento simultaneo di una cappa aspiratrice e di altri apparecchi alimentati da un'energia alternativa a quella elettrica, l'uscita d'aria non dovrà essere superiore a 4 Pa (4x10<sup>-5</sup> bar).*
- *Non usare mai la cappa in luoghi dove funzionano già apparecchi con scarichi collegati all'esterno, salvo in caso di poter garantire una ventilazione ottima.*
- *Questa cappa potrà essere installata solo sopra piani di cottura elettrici o a gas, con un massimo di 4 fornelli.*
- *In caso la cappa sia installata sopra un elemento di cottura a gas, la distanza minima tra il piano di cottura e la parte inferiore della cappa dovrà essere di 65 cm. In caso le istruzioni per l'installazione dell'elemento di cottura a gas prevedano una distanza superiore, se ne dovrà tenere conto.*
- *In caso la cappa d'aspirazione sia installata sopra un elemento di cottura elettrico, la distanza minima esistente fra il piano di cottura e la parte inferiore della cappa sarà indicata nel modello di montaggio.*
- *Dovrà essere rispettata la normativa concernente l'uscita d'aria.*

## Pulizia

Prima di iniziare qualsiasi operazione assicurarsi sempre che il cavo di alimentazione non sia collegato e che l'interruttore si trovi sulla posizione di fermo. Pulire la parte esterna con un detergente liquido non corrosivo ed evitare l'uso di prodotti di pulizia che contengano abrasivi.

## Sostituzione della lampada

Prima di sostituire la lampada assicurarsi che la cappa non sia collegata. Rimuovere il filtro del grasso e cambiare la lampada usando una lampada della stessa potenza come indicato nelle Caratteristiche Tecniche. Rimettere il filtro al suo posto.

## Pulizia del filtro del grasso

Secondo l'uso e come minimo una volta al mese, i filtri del grasso dovranno essere smontati e lavati in lavastoviglie o in acqua calda e sapone. Se si usa una lavastoviglie, si raccomanda di collocarli in posizione verticale per evitare che i resti del mangiare vi si possano depositare. Dopo averli sciacquati ed asciugati collocarli di nuovo al loro posto, eseguendo l'operazione di smontaggio alla rovescia.

Per un buon funzionamento, i filtri a carbone attivo devono essere sostituiti periodicamente, almeno ogni tre mesi e comunque (secondo la frequenza d'uso dell'aspiratore).

## ***Avviso importante per le campane con lampade alogene***

*Se si devono sostituire le lampade alogene, sostituirle con lampade con un riflettore d'alluminio, ma con lampade dicroiche, al fine di evitare un surriscaldamento non necessario dei portalampada.*

*Il fabbricante declina qualsiasi responsabilit  nel caso in cui non vengano osservate le indicazioni descritte per l'installazione, manutenzione e corretto uso della cappa di estrazione.*

Il fabbricante assicura che il prodotto adempie tutti i requisiti essenziali richiesti al materiale elettrico a bassa tensione, contemplati dalla direttiva 2006/95/CEE del 12 dicembre 2006, oltre ai requisiti in materia di compatibilit  elettromagnetica, contemplati dalla direttiva 2004/108/CEE del 15 dicembre 2004.

Nel caso in cui avesse bisogno d'assistenza tecnica o volesse ulteriori informazioni sui nostri prodotti, non dubiti a mettersi in contatto con il nostro rivenditore ufficiale.

*Il fabbricante si riserva il diritto di realizzare qualsiasi miglioramento tecnologico o modifica senza previo avviso.*

L'utente riceve automaticamente una Garanzia limitata di 2 anni dal produttore che copre i componenti e la manodopera per gli interventi di assistenza nel paese dell'acquirente.

### **Il fabbricante garantisce che:**

la riparazione del materiale e gli interventi di manodopera su qualsiasi parte del Prodotto difettoso, il cui numero di serie è riportato sul Prodotto stesso, senza alcun addebito a carico del proprietario entro DUE ANNI dalla data dell'acquisto.

### **La presente garanzia non copre:**

- IT**
- A** Chiamate all'assistenza non connesse a difetti del Prodotto. Il costo della chiamata del tecnico dell'assistenza sarà addebitato laddove il problema non venga ritenuto imputabile a un difetto del Prodotto. Ad esempio:
    1. Correzione di un'errata installazione del prodotto.
    2. Richieste di informazioni o di istruzioni sull'uso del Prodotto.
    3. Sostituzione di fusibili domestici, riavvio di interruttori automatici, interventi agli impianti elettrici o idraulici dell'abitazione, sostituzione di lampadine.
    4. Correzione di guasti causati dall'utente.
    5. Alterazioni della configurazione del Prodotto.
    6. Modifiche non autorizzate al Prodotto.
    7. Rumori o vibrazioni considerati normali, ad esempio, rumori dovuti a scarico, rigenerazione o segnali acustici di avviso per l'utente.
    8. Correzione di danni causati da eventi calamitosi esterni, ad esempio topi, scarafaggi ecc.
  - B** Difetti causati da fattori diversi da:
    1. Normale uso domestico o
    2. Uso conforme al Manuale dell'utente del Prodotto.
  - C** Difetti del Prodotto causati da incidenti, negligenza, uso improprio, incendi, inondazioni o cause di forza maggiore.
  - D** Fisher & Paykel non può essere ritenuta responsabile se la tensione di alimentazione fornita è superiore o inferiore alle specifiche del prodotto.
  - E** Il costo di riparazioni eseguite da personale non autorizzato o i costi per la correzione di dette riparazioni non autorizzate.
  - F** Spese di viaggio o spostamento associate ad addebiti che intervengono allorché il Prodotto è installato in un luogo ad accesso limitato o ristretto. (ad es. biglietti aerei, biglietti di treni o navi per raggiungere aree geografiche isolate).
  - G** Normale manutenzione raccomandata nel presente Manuale dell'Utente.

In caso di problemi di installazione, contattare il proprio rivenditore o installatore. L'utente è responsabile dell'idoneità e dell'efficienza degli impianti elettrici, degli impianti di scarico e di tutti gli altri tipi di connessione.

Fisher & Paykel declina ogni responsabilità in merito a danni consequenziali o accidentali (ad es. le spese per la riparazione o la sostituzione di proprietà di terzi danneggiate da difetti del Prodotto o qualsiasi altra spesa dell'utente causata da eventuali difetti del prodotto).

## Come ottenere assistenza per il prodotto

Prima di chiamare l'assistenza:

Eseguire tutte le verifiche raccomandate per risolvere il problema da soli. Consultare il Manuale dell'utente e verificare;

- che il vostro apparecchio sia installato correttamente
- di aver preso confidenza con il normale funzionamento
- di aver letto l'elenco di controllo per la risoluzione dei problemi

Se, dopo aver eseguito queste verifiche, ritenete di avere ancora bisogno di assistenza, tenere presente quanto segue:

### Europa

[www.fisherpaykel.eu](http://www.fisherpaykel.eu)

Se il contatto avviene telefonicamente o per iscritto, fornire sempre: nome e indirizzo, numero del modello, numero di serie, data di acquisto e una descrizione completa del problema. Queste informazioni sono necessarie per poter rispondere nel modo migliore alla vostra richiesta di assistenza.

### Commercial Use

Se si utilizza il Prodotto in ambito commerciale (qualsiasi uso diverso da quello abitativo di un nucleo familiare), Fisher & Paykel si impegna a riparare o sostituire, senza alcun addebito a carico del proprietario, qualunque componente difettoso, il cui numero di serie è riportato sul Prodotto stesso. La responsabilità per dette riparazioni scade dopo UN ANNO a partire dalla data del primo acquisto.

A propria discrezione, Fisher & Paykel può sostituire il componente difettoso del Prodotto oppure rimborsare interamente il prezzo di acquisto del Prodotto (non sono inclusi i costi di installazione o altri addebiti). Tutti gli interventi di assistenza coperti dalla presente Garanzia del Produttore dovranno essere eseguiti da Fisher & Paykel o da suoi rappresentanti di assistenza autorizzati durante il normale orario lavorativo.

### Non sono previste altre garanzie

La presente Garanzia del Produttore è il contratto completo ed esclusivo tra il proprietario del Prodotto e Fisher & Paykel che disciplina qualsiasi materia relativa a eventuali difetti del Prodotto.

In nessun caso i dipendenti (o i rappresentanti autorizzati) sono autorizzati ad apportare qualsiasi tipo di aggiunta o modifica alla presente Garanzia del Produttore.

## **Decoratieve afzuigkap**

Geacht klant,

Wij zijn ervan overtuigd dat de aankoop van onze decoratieve afzuigkap volledig aan uw behoeften zal voldoen; daarom verzoeken wij u de richtlijnen van het handboek aandachtig te lezen, teneinde een optimum resultaat te bekomen bij het gebruik van dit apparaat.

## **Aanwijzingen voor installatie, onderhoud en gebruik**

### **Algemene aanwijzingen**

Vooraleer de afzuigkap te installeren en in gebruik te nemen moet u er zich van verzekeren dat de op het kenmerkenplaatje aangeduide spanning (V) en frequentie (Hz.) overeenkomen met de spanning en de frequentie van de plaats waar u het apparaat gaat installeren.

Het kenmerkenplaatje met de technische gegevens bevindt zich aan de binnenzijde van het product.

Voor een hogere prestatie van de afzuigseenheid, is het raadzaam, om geen buis met een diameter kleiner dan 120 mm te installeren. Het is ook raadzaam, om een starre PVC-buis te gebruiken.

### **Elektrische aansluiting**

De kabel van de afzuigkap aansluiten op een stopcontact of een dubbelpolige schakelaar waarvan de afstand tussen de contactopeningen tenminste 3 mm moet bedragen.

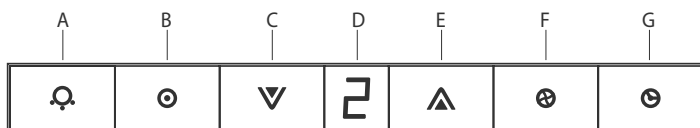
De fabrikant aanvaardt geen enkele verantwoordelijkheid ingeval alle geldende en voor een juiste en normale werking van het elektrische gedeelte vereiste veiligheidsnormen niet worden in acht genomen.

# Schakelpaneel met elektronische bedieningsknop 37

Dit paneel bevindt zich aan de voorzijde van de afzuigkap en bevat:

- Drukknop belichtingslamp (ref. A).
- Drukknop om de motor aan / af te zetten (ref. B).
- Drukknop verlaging van de motorsnelheid (ref. C).
- Aanwijzer motorsnelheid (ref. D).
- Drukknop ter verhoging van de motorsnelheid (ref. E).
- Drukknop ten activeren van de TURBO snelheid van de motor (ref. F).
- Drukknop motor timer (ref. G).

De afzuigkap werkt 5 minuut op de bestaande snelheid en 5 minuut op elke lager snelheid totdat ze helemaal stopt.



## Belangrijk!

- *De afzuigkap niet aansluiten op een rookschoorsteen, verluchtungsbuizen of warmeluchtleidingen. Vooraleer het apparaat op buizen aan te sluiten moet u de gemeentelijke richtlijnen betreffende luchtuitlaten raadplegen en de toelating vragen van de verantwoordelijke van het gebouw. Vergewis u ervan of te ventilatie voldoende is, zelfs indien u de afzuigkap tegelijkertijd met een ander product gebruikt.*
- *Gelieve bij het bakken of braden de potten of pannen nooit onbewaakt te laten, gezien de olie overheet kan worden of in brand kan schieten. Het gevaar voor verbranding is groter bij reeds gebruikte olie.*
- *Gebruik de afzuigkap nooit in ruimten waar reeds andere apparaten met aan het exterieur verbonden aflaten in gebruik zijn, tenzij een perfecte ventilatie van de bedoelde ruimte verzekerd is.*
- *Voor het voorkomen van brand moeten al deze raadgevingen en de regelmatige reiniging van de vetfilters streng in acht genomen worden.*
- *Bij een elektrostatische ontlading (ESD) kan het voorkomen dat dit apparaat ophoudt te werken. Schakel het apparaat uit (OFF) en opnieuw aan (ON); het zal perfect functioneren. Elk risico is en blijft volstrekt uitgesloten.*
- *Bij beschadiging van de elektrische voedingskabel moet deze vervangen worden door een officiële dienst of een bevoegde vertegenwoordiger.*
- *Men dient geen geflambeerde gerechten onder de ingeschakelde wasemkap klaar te maken.*
- *Het apparaat dient zo geplaatst te worden, dat de aansluitplug bereikbaar is.*
- *De afzuigkap dient op minimaal 65cm afstand boven de kookplaats geïnstalleerd te worden.*
- *Het is mogelijk dat het apparaat ophoudt te werken onder weersomstandigheden die elektrische interferentie veroorzaken. Schakel het apparaat uit (OFF) en schakel het weer in (ON). Het apparaat zal weer normaal werken, zonder enig gevaar.*
- *Dit apparaat is niet geschikt voor personen (inclusief kinderen) wiens fysieke, sensorische of mentale vermogens beperkt zijn of die onvoldoende ervaring of kennis hebben, tenzij zij uitleg of gebruiksinstructies voor het apparaat hebben gekregen van een persoon die verantwoordelijk is voor hun veiligheid.*
- *Laat kinderen nooit alleen om zeker te zijn dat ze niet met het apparaat spelen.*
- *De afgezogen lucht mag niet door leidingen worden gestuurd die worden gebruikt voor de rookafvoer van apparaten die worden aangedreven door gas of een andere brandstof (niet van toepassing op apparaten die uitsluitend geschikt zijn voor kringloopwerking).*
- *Indien de afzuigkap tegelijkertijd wordt ingeschakeld met apparatuur die door een andere energiebron dan elektriciteit wordt aangedreven, mag de luchtuitlaat niet meer bedragen dan 4 Pa (4x10<sup>-5</sup> bar).*
- *Gebruik de afzuigkap nooit in omgevingen waar al apparatuur wordt gebruikt met een buitenverbinding indien een goede verluchting van de ruimte niet kan worden verzekerd.*
- *Deze afzuigkap mag uitsluitend worden gebruikt boven elektrische of gasfornuizen met maximaal 4 kookzones.*
- *Indien de afzuigkap boven een gasfornuis is geïnstalleerd, moet de afstand tussen het kookoppervlak van het fornuis en de onderkant van de afzuigkap minstens 65 cm bedragen. Indien de installatie-instructies van het gasfornuis een grotere afstand aangeven, dient u daar rekening mee te houden.*
- *Indien de afzuigkap boven een elektrische kookplaat is geïnstalleerd, vindt u de minimale afstand tussen het kookoppervlak van het fornuis en de onderkant van de afzuigkap in de installatiehandleiding.*
- *De instructies met betrekking tot de luchtafvoer dienen te worden nageleefd.*



## Reiniging

Vooraleer eender welke bewerking uit te voeren moet u er steeds voor zorgen dat de voedingskabel niet aangesloten is en de schakelaar op off staat. De buitenkant reinigen met een vloeibaar niet bijtend wasmiddel en het gebruik van reinigingsmiddelen met schurende elementen vermijden.

## Vervanging van de lamp

Vooraleer de lamp te vervangen moet u ervoor zorgen dat de afzuigkap niet aangesloten is. Verwijder de vetfilter en vervang de lamp door een nieuwe lamp met hetzelfde vermogen zoals aangegeven in de Technische Kenmerken. Breng de filter terug op zijn plaats.

## Reiniging van de vetfilter

Naargelang het gebruik en tenminste éénmaal per maand moeten de vetfilters gedemonteerd worden en gewassen in een vaatwasmachine of in warm water met afwasmiddel. Indien u een vaatwasmachine gebruikt is het aan te raden de filters rechtop te plaatsen teneinde te vermijden dat etensresten zich op de filters neerzetten. Na de filters afgespoeld en afgedroogd te hebben brengt u ze opnieuw op hun plaats, waarbij u omgekeerd tewerk gaat als bij het demonteren ervan.

Voor een goede werking dienen deze koolstoffilters dienen regelmatig, minimaal om de drie maanden, vervangen te worden (afhankelijk van de mate waarin de afzuigkap gebruikt wordt).

## ***Belangrijke waarschuwing voor afzuigkappen met halogeenlampen***

***Ingeval van vervanging van halogeenlampen moeten deze vervangen worden door lampen met een aluminiumreflector en in geen geval door kleurensplitsende lampen, teneinde onnodige oververhitting van de lamphouder te voorkomen.***

***De fabrikant aanvaardt geen enkele verantwoordelijkheid in geval de voor de installatie, het onderhoud en het gebruik van de afzuigkap beschreven richtlijnen niet worden nageleefd.***

De fabrikant verklaart dat dit product voldoet aan de basisvoorschriften voor elektrische laagspanningstoestellen die worden opgelegd door richtlijn 2006/95/EEG van 12 december 2006 en voor elektromagnetische compatibiliteit die worden opgelegd door richtlijn 2004/108/CEE van 15 december 2004.

Indien U technische hulp of nadere informatie over onze producten nodig hebt, kunt U contact met ons dealer opnemen.

***Vergeet niet dit bewijs bij aankoop van het apparaat behoorlijk in te vullen.***

Bij de aankoop van dit product krijgt u automatisch een fabrieksgarantie van 2 jaar op onderdelen en werkuren in het land van aankoop.

### **De fabrikant verbindt zich ertoe:**

Ieder onderdeel van het product, waarvan het serienummer op het product is vermeld, dat binnen de TWEE JAAR na datum van aankoop defect raakt, te repareren zonder berekening van materiaalkosten of werkuren aan de eigenaar.

### **Van deze garantie zijn uitgesloten:**

- A** Serviceoproepen niet in verband met een defect aan het product. De kosten voor een serviceoproep worden in rekening gebracht als het probleem geen defect van het product blijkt te zijn. Bijvoorbeeld:
1. Een installatiefout van het product corrigeren.
  2. De klant aanwijzingen geven over het gebruik van het product.
  3. Zekerings in de woninginstallatie vervangen, stroomonderbrekers opnieuw inschakelen, een storing verhelpen aan bedrading of waterleiding van de woning, of lampen vervangen.
  4. Storingen verhelpen die door de gebruiker zijn veroorzaakt.
  5. De instelling van het product veranderen.
  6. Ongeautoriseerde wijzigingen aan het product.
  7. Geluid of trilling die als normaal wordt beschouwd, bijvoorbeeld afvoergeluiden, luchtcirculatiegeluiden of pieptonen van het waarschuwingssysteem.
  8. Verhelpen van schade veroorzaakt door ongedierte, zoals ratten, kakkerlakken enz.
- B** Defecten door andere oorzaken dan:
1. Normaal huishoudelijk gebruik of
  2. Gebruik overeenkomstig de gebruiksaanwijzing van het product.
- C** Defecten aan het product veroorzaakt door toeval, nalatigheid, verkeerd gebruik, brand, overstroming of overmacht.
- D** Fisher & Paykel kan niet verantwoordelijk worden gesteld voor eventuele schade wanneer de voedingsspanning niet overeenstemt met de voor het product voorgeschreven waarde.
- E** De kosten voor reparaties uitgevoerd door onbevoegd personeel of voor het corrigeren van door onbevoegden uitgevoerde reparaties.
- F** Reiskosten en andere gemaakte kosten wanneer het product geïnstalleerd staat op een plaats met beperkte of voorbehouden toegang (d.w.z. kosten voor vliegreizen, overtochten met ferry's, afgelegen gebieden).
- G** Normaal aanbevolen onderhoudswerk zoals aangegeven in de gebruiksaanwijzing van het product.

Als u een installatieprobleem hebt, dient u contact met uw dealer of installateur op te nemen. U bent verantwoordelijk voor de nodige aansluitingen inzake elektriciteit, uitlaat en andere aansluitvoorzieningen.

Wij zijn niet verantwoordelijk voor gevolg- of toevallige schade (de reparatie- of vervangingskosten van andere beschadigde eigendom als het product defect is of welke door u opgelopen kosten dan ook als het product defect is).

## Hoe komt u aan service?

Alvorens naar de telefoon te grijpen voor service of hulp:

Ga na wat u zelf kunt doen. Raadpleeg uw gebruiksaanwijzing en controleer of...

- Uw apparaat correct is geïnstalleerd
- U vertrouwd bent met de normale bediening ervan
- U de checklist voor het oplossen van problemen hebt gelezen

Als u na het controleren van deze punten nog hulp nodig hebt, zie dan hieronder:

## Europa

[www.fisherpaykel.eu](http://www.fisherpaykel.eu)

Vermeld, wanneer u contact opneemt, uw naam en adres, en geef het modelnummer, serienummer, aankoopdatum en een volledige beschrijving van het probleem. Deze gegevens zijn nodig om efficiënt op uw verzoek om bijstand te kunnen ingaan.

NL

## Commercieel gebruik

Als u het product gebruikt in een commerciële omgeving (ieder gebruik ander dan in een eengezinswoning) willen wij, zonder berekening van kosten voor alleen de onderdelen, alle defecte onderdelen repareren of vervangen waarvan het serienummer op het product voorkomt. Onze aansprakelijkheid voor deze reparaties verstrijkt ÉÉN JAAR na de oorspronkelijke aankoopdatum.

Wij kunnen het onderdeel van het product naar eigen keuze vervangen, ofwel kunnen wij u de aankoopprijs van het product integraal terugbetalen (exclusief installatie- of andere kosten). Alle service in het kader van deze Fabrieksgarantie dient te worden verstrekt door Fisher & Paykel of diens Erkend Servicecentrum tijdens de normale openingsuren.

## Geen andere garanties

Deze Fabrieksgarantie is de complete en exclusieve overeenkomst tussen u en ons betreffende eventuele defecten aan het Product. Niemand van onze werknemers (noch onze Erkende Servicecentra) is gemachtigd om iets aan deze Fabrieksgarantie toe te voegen of te wijzigen.

## Dekorativ emhætte

Kære kunde:

Vi er overbeviste om, at De vil være ovenud tilfreds med købet af denne emhætte, og at den vil opfylde alle Deres behov; for at De kan opnå et optimalt resultat i brugen af Deres emhætte, bedes De venligst læse denne brugervejledning grundigt.

## Installations- vedligeholdelses- og brugsvejledning

### Generelle anvisninger

Før installation og brug af emhætten, skal De sikre Dem, at spændingen (V) og frekvensen (Hz.) angivet på datapladen svarer til spændingen og frekvensen på det sted, hvor produktet skal installeres.

Datapladen med de tekniske data findes på indersiden af produktet.

DA

Med henblik på at opnå en optimal ydelse af luftudledningen, anbefaler vi Dem, at installationen af røret ikke er mindre end en diameter på 120 mm. Ligeledes tilrådes, at røret bør være af ubøjeligt PVC, (plastik).

### Elektrisk tilslutning

Emhættens kabel tilsluttes elstik/stikdåse.

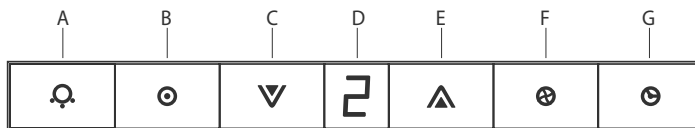
Fabrikanten kan ikke holdes ansvarlig, hvis ikke alle de gældende og nødvendige sikkerhedsnormer til korrekt og normalt brug af den elektriske komponent overholdes.

## Betjeningspanel med elektrisk knap 43

Dette panel befinder sig på den forreste side af emhætten og består af:

- Trykknop til belysning, (Ref: A).
- Trykknop til tænd/sluk for motoren, (Ref: B).
- Trykknop til nedsættelse af motorens hastighed, (Ref: C).
- Indikator af motorhastigheden, (Ref: D).
- Trykknop til forøgelse af motorhastigheden, (Ref: E).
- Trykknop til direkte aktivering af motorens TURBO hastighed, (Ref: F).
- Trykknop til timing af motoren, (Ref: G).

Emhætten er i gang i 5 minutter med den nuværende hastighed og i 5 minutter i hver enkelt af de lavereliggende hastigheder, indtil den automatisk standser.



DA

## Vigtigt!

- *Emhætten må ikke tilsluttes en skorsten, udluftningsrør eller rør til varmluft. Før den tilsluttes rør, skal man søge oplysninger i kommunens bestemmelser vedr. luftudgange og bede om tilladelse af den ansvarlige for bygningen, i tilfælde af at det drejer sig om en lejlighed. Man skal sikre sig, at der er en egnet udluftning, inklusive hvis emhætten benyttes samtidig med et andet produkt.*
- *Man må aldrig gå fra en pande med stegende olie, idet olien, i tilfælde af at man bruger et gaskomfur, vil kunne antændes. I tilfælde af at man benytter olie, som allerede er blevet benyttet én gang, er brandfaren større.*
- *Emhætten må aldrig benyttes i lokaler, hvor der allerede er andre elektriske apparater tilsluttet til udvendig side, med mindre at det kan sikres, at lokalet er perfekt ventileret.*
- *For at undgå mulige brandfarer, skal ovenstående råd samt den regelmæssige rengøring af fedtfilterne overholdes nøjagtigt.*
- *Ved elektrostatisk ladning (ESD) er det muligt at apparatet stopper med at fungere. Sluk apparatet (OFF) og tænd det igen (ON) for således at starte det på ny. Der er ingen risici forbundet med denne proces.*
- *Hvis ledningen tilsluttet elektriciteten er defekt, skal denne udskiftes af en elektriker eller en autoriseret servicemedarbejder.*
- *Der må aldrig flambers under emhætten.*
- *Apparatet bør anbringes således, at stikkontakten er lettilgængelig.*
- *Emhætten bør installeres med en mindsteafstand på 65 cm fra kogeplader.*
- *I tilfælde af atmosfæriske forstyrrelser, der forårsager elektriske interferencer, er der risiko for at apparatet holder op med at fungere. Dette problem løses ved blot at trykke på sluktasten på apparatet, (OFF), og derefter tænde for det igen med tændtasten, (ON), hvorefter apparatet vil vende tilbage til sin normale funktion.*
- *Dette apparat er ikke beregnet til at blive anvendt af personer, (inkl. børn), hvis fysiske, følelsesmæssige eller mentale kapaciteter er formindskede, eller såfremt disse personer ikke har nogen erfaring med eller kendskab til apparatet, hvis disse ikke har modtaget en forklaring omkring hvorledes apparatet bruges og altid under opsyn af en overfor dem ansvarshavende person.*
- *Der bør holdes opsyn med børn, med henblik på at undgå, at de bruger apparatet som legetøj.*
- *Den udsugende luft bør ikke sendes gennem rørledninger, der er anvendt til at udføre røg fra apparater, der drives med gas eller andet brændstof. (Omhandler ikke apparater, der udelukkende er beregnet til at pumpe luften ud af rummet).*
- *Når emhætten i køkkenet startes samtidigt med andre apparater, der bruger en anden energi end den elektriske, bør luftudledningen ikke være større end 4 Pa, (4 x10<sup>-5</sup> bar).*
- *Emhætten må aldrig bruges i rum, hvori der er andre apparater i gang med udendørs luftudledning, medmindre der er sikret en optimal ventilation i det pågældende rum.*
- *Denne emhætte bør kun installeres ovenover elektriske kogeplader eller over gasplader med max. 4 blus.*
- *Hvis emhætten er installeret ovenover et kogeområde med gas, bør mindsteafstanden imellem kogepladen og emhættens nederste del, være på mindst 65cm. Hvis gaselementets instruktionsvejledning angiver at denne afstand bør være større, bør denne anvisning overholdes.*
- *Hvis emhætten er installeret ovenover et elektrisk kogeområde, vil den mindsteafstand, der skal være imellem kogepladens overflade og emhættens nedeste overflade være beskrevet i monteringsvejledningen.*
- *De gældende regler og bestemmelser omhandlende luftudledning skal være overholdt.*

## Rengøring

Før emhætten rengøres, skal man sikre sig, at den er frakoblet strømmen, og at tænd/sluk knappen er i slukket position.

Emhættens udvendige del rengøres med et flydende ikke opløsende rengøringsmiddel. Bruget af opløsende rengøringsmidler skal undgås.

## Udskiftning af pære

Før pæren udskiftes, skal man sikre sig, at emhætten er frakoblet strømmen. Fedtfiltret fjernes og pæren udskiftes med en pære af samme styrke, som angivet under de tekniske data. Dernæst anbringes filtret på ny.

## Rengøring af fedtfiltret

Alt afhængig af brug men mindst én gang om måneden skal fedtfiltrene afmonteres og vaskes i opvaskemaskine eller med varmt vand og opvaskemiddel. Hvis filtrene lægges i opvaskemaskinen, anbefales det at anbringe dem i lodret position for således at undgå, at madrester lægger sig på dem. Efter at de er blevet skyllet og tørret, anbringes de på ny, i modsat rækkefølge end da de blev afmonteret.

Kulfiltrene skal udskiftes jævnlige for at fungere korrekt og som minimum én gang hver tredje måned (afhængigt af hvor ofte emhætten bruges).

## **Vigtig meddelelse til emhætter med halogenpærer**

*I tilfælde af at halogenpærene skal udskiftes, skal de udskiftes med pærer med aluminiumsreflektor og aldrig med tofarvede pærer, for således at undgå en unødvendig overophedning i lampeholderen.*

*Fabrikanten fratægger sig alt ansvar i tilfælde af, at alle de beskrevne angivelser til korrekt installation, vedligeholdelse og brug af emhætten ikke er blevet overholdt.*

Fabrikanten erklærer, at dette produkt opfylder alle grundlæggende betingelser for hvad angår elektrisk materiale med lavspænding, indeholdt i EU-Direktiv: 2006/95/CEE af 12. December 2006 og i EU-Direktiv: 2004/108/CEE af 15. December 2004 omhandlende elektromagnetisk kompatibilitet.

Såfremt De måtte have brug for teknisk rådgivning eller ønsker en mere detaljeret information omkring vores produkter, er De velkommen til at kontakte vore autoriserede forhandlere.

*Fabrikant forbeholder sig ret til alforetage en hvilken som helst teknologisk forbedring eller ændring udenforudgående anvilning.*

Du får automatisk en 2-årig forhandlergaranti ved købet af dette produkt, der dækker dele og arbejde ved servicearbejde i det land, hvor produktet er købt.

### **Forhandleren påtager sig at:**

Reparere uden omkostning for ejeren enten for materiale eller arbejde, enhver del af produktet, svarende til det serienummer, som er anført på produkt, som konstateres at være defekt inden for TO ÅR efter købsdatoen.

### **Producentens garanti dækker ikke:**

- A** Servicebesøg, der ikke skyldes nogen defekt ved produktet. Udgiften til et sådant servicebesøg vil blive faktureret, hvis problemet viser sig ikke at være en produktfejl. F.eks.:
1. Udbedring af forkert installation af produktet.
  2. Instruktion i, hvordan produktet anvendes.
  3. Udskiftning af sikringer, tænding for HFI-relæer, udbedre el- eller vvs-arbejde i huset eller udskiftning af pærer i apparatet.
  4. Reparation af fejl, forårsaget af brugeren.
  5. Ændring i produktets opstilling.
  6. Uautoriserede ændringer af produktet.
  7. Støj eller vibration, der betragtes som normale, f.eks. lyde fra vandudtømmning, regenerationsstøj, alarmbip til brugeren.
  8. Udbedring af skader, forårsaget af skadedyr, f.eks. rotter, kakerlakker, etc.
- B** Defekter, der skyldes andre faktorer end:
1. Normal anvendelse i husholdningen eller
  2. Brug i overensstemmelse med produktets brugsanvisning.
- C** Defekter på produktet, som skyldes uheld, forsømmelse, misbrug, brand, oversvømmelse eller force majeure.
- D** Fisher & Pakel kan ikke gøres ansvarlig for, at forsyningsspændingen ligger over eller under produktspecifikationen.
- E** Udgifter til reparationer, der er udført af ikke-autoriserede reparatører, eller udgifter til udbedring af sådanne reparationer.
- F** Rejseudgifter og dermed forbundne udgifter, når produktet er installeret på et sted med begrænset eller ikke-offentlig adgang (f.eks. fly- eller færgebilletter, isolerede geografiske områder).
- G** Normal anbefalet vedligeholdelse som angivet i produktets brugsanvisning.

Hvis du har et installationsproblem, skal du rette henvendelse til forhandleren eller installatøren. Det er dit ansvar at sørge for de nødvendige el-udluftnings- og andre tilslutningsfaciliteter.

Fisher & Paykel kan ikke gøres ansvarlige for følgeskader eller skader, der skyldes uheld (omkostninger ved reparation eller udskiftning af andre ejendele, der er blevet beskadigede på grund af produktets defekt, eller dine udgifter i forbindelse med det defekte produkt).



## Sådan får du service

Før du tilkalder en servicetekniker bør du:

Kontrollere de ting, du selv kan gøre. Kig i brugsanvisningen og check at:

- Apparatet er korrekt installeret
- Du kender den normale betjening
- Du har læst Checkliste til fejlfinding

Hvis du, efter at have kontrolleret disse punkter, fortsat har behov for assistance, bør du gøre følgende:

## Europa

[www.fisherpaykel.eu](http://www.fisherpaykel.eu)

Hvis du ringer eller skriver, bedes du oplyse navn og adresse, produktets model- og serienummer, købsdato samt angive en fuldstændig beskrivelse af problemet. Disse oplysninger er nødvendige, for at vi bedre kan tage os af din anmodning om assistance.

DA

## Kommercielt brug

Hvis du anvender produktet kommercielt (enhver anden anvendelse end til en enkelt familie), accepterer vi kun - uden udgifter for dig til reservedele - at reparere eller udskifte eventuelle defekte dele, hvis serienummer findes på produktet. Vort ansvar i henhold til disse reparationer udløber ET ÅR efter den oprindelige købsdato.

Vi kan, efter eget valg, udskifte delen eller produktet, eller refundere dig hele købsprisen for produktet (ekskl. installation og andre udgifter). Al service i henhold til producentgarantien skal udføres inden for normal arbejdstid af Fisher & Paykel eller en autoriseret servicetekniker.

## Ingen andre garantier

Producentgarantien er den fuldstændige og eneste aftale mellem dig og os med hensyn til enhver fejl på produktet. Ingen af vore ansatte (eller vore autoriserede serviceteknikere) er bemyndiget til at foretage nogen form for tilføjelse eller ændring til denne producentgaranti.

## Sisustuksellinen liesituulettimen kupu

Hyvä asiakas:

Olemme vakuuttuneita siitä, että hankkimanne liesituulettimen kupu tulee vastaamaan täysin odotuksianne. Pyydämme, että tutustuisitte huolellisesti näihin käyttöohjeisiin saadaksenne tuotteesta parhaan mahdollisen hyödyn.

## Asennus-, huolto- ja käyttöohjeet

### Yleisohjeet

Ennen kuvun asennusta varmistakaa, että ohjetauluun kirjatut jännite (V) ja taajuus (Hz) ovat samat kuin pistorasiassa johon kupu tullaan asentamaan.

Ohjetaulu, josta voi lukea tekniset tiedot löytyy kuvun sisäpuolelta.

### Sähköliitäntä

Liesituulettimen kuvun sähköjohto yhdistetään pistorasiaan tai omnipolaariseen katkaisijaan, jossa kosketusten väli on vähintään 3 mm.

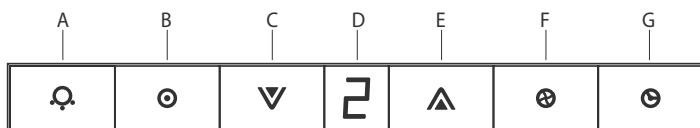
Valmistaja ei ole vastuussa vahingoista, jos asennuksessa tai käytössä ei oteta huomioon kaikkia sähkölaitteiden käyttöä koskevia voimassaolevia turvallisuusnormeja.

# Elektronisella painikkeella varustettu ohjauspaneeli 49

Tämä ohjauspaneeli sijaitsee kuvun etupuolella ja siihen sisältyy:

- Valaisimen painonappi (viite A).
- Moottorin sammutus / käynnistys -painonappi (viite B).
- Moottorin nopeuden hidastus -painonappi (viite C).
- Moottorin nopeusmittari (viite D).
- Moottorin nopeuden kohotus -painonappi (viite E).
- Moottorin TURBO-nopeuden välittömän aktivoinnin painonappi (viite F).
- Moottorin ajastimen -painonappi (viite G).

Kupu on käynnissä 5 minuuttia säädetyllä nopeudella ja 5 minuuttia jokaisella pienemmällä nopeudella kunnes se pysähtyy kokonaan.



## Tärkeää!

- *Kupua ei pidä asentaa takkaan, ilmastointiputkiin eikä lämpimän ilman putkiin. Ennen putkistoon asentamista täytyy selvittää kunnalliset määräykset koskien ilman poistoja ja pyytää rakennuksesta vastuussa olevan henkilön lupa. Varmistautukaa että tuuletus toimii asianmukaisesti siinäkin tapauksessa, että kuvun kanssa käytetään samanaikaisesti toista laitetta.*
- *Älkää koskaan jättäkö öljyä sisältäviä pannuja liedelle ilman valvontaa, koska öljy voi lämmetä uudelleen ja syttyä palamaan. Käytettäessä samaa öljyä useamman kerran syttymisriski kasvaa.*
- *Älkää koskaan käyttäkö liesituuletinta huoneessa jossa on muitakin ilmaa ulos ohjaavia laitteita, jos huoneen hyvä ilmanvaihto ei ole varmistettu*
- *Jotta vältyttäisiin mahdollisilta tulipaloilta täytyy kaikkia näitä ohjeita noudattaa ja suorittaa rasvansuodattimien puhdistus säännöllisesti.*
- *On mahdollista, että laite pysähtyy staattisen sähköpurkauksen aikana. Jos näin tapahtuu ottakaa laite pois päältä (OFF) ja käynnistäkää se uudelleen (ON), tällöin laite alkaa toimia uudestaan normaalisti. Tähän ei liity mitään riskiä.*
- *Jos laitteen sähköjohto vaurioituu se pitää vaihtaa. Vaihdon voi suorittaa vain valtuutettu huoltopalvelu.*
- *Älä koskaan sytytä tulta imukuvun alapuolella.*
- *Laite on ripustettava sillä tavoin, että se ylettyy virranottopisteeseen.*
- *Kupu on asennettava vähintään 65 cm hellan yläpuolelle.*
- *Sähköpurkauksia aiheuttavissa sääolosuhteissa on mahdollista, että laitteen toiminta keskeytyy. Kääntämällä laite ensin pois päältä (OFF), ja kytkemällä se uudelleen päälle (ON), se palautuu normaaliin toimintaan ilman minkäänlaisia riskejä.*
- *Tämä laite ei ole suunniteltu sellaisten henkilöiden (lapset mukaanluettuna) käytettäväksi, joiden fyysiset, henkiset tai vastuuntuntoon liittyvät ominaisuudet ovat rajoitetut, tai joilta puuttuu käytön vaatima kokemus tai tietämys, paitsi jos he ovat saaneet laitteen käyttöön sen turvallisuudesta vastaavan henkilön antamaa opastusta tai suoraa valvontaa.*
- *Lasten leikkiminen laitteella tulee estää järjestämällä heille tarvittava valvonta.*
- *Poistettua ilmaa ei tule johtaa poistokanaviin, joita käytetään kaasuilla tai muilla polttoaineilla syötettyjen laitteiden savujen poistamiseen (tätä ei sovelleta laitteisiin, joita käytetään yksinomaan huoneissa olevan ilman poistoon)*
- *Kun liesituuletinta pidetään päällä yhtä aikaa muuta kuin sähkövirtaa käyttävien laitteiden kanssa, ilmanvaihtoaukko ei saa olla suurempi kuin 4 Pa (4x10<sup>-5</sup> bar).*
- *Älä koskaan käytä liesituuletinta tiloissa, joissa on jo muita ulossuunnattua purkukanavaa käyttäviä laitteita, ellei kyseistä tilaa voi asianmukaisesti ilmastoida.*
- *Tämä liesituuletin voidaan asentaa vain, korkeintaan 4-levyisten, sähkö- tai kaasuhellojen ylle.*
- *Jos liesituuletin on asennettu kaasulieden yhteyteen, keittolevytason ja liesituulettimen alareunan välisen etäisyyden on oltava vähintään 65 cm. Mikäli kaasukeittolieden asennusohjeissa ilmoitetaan suurempi etäisyys, on ohjetta syytä noudattaa.*
- *Jos liesituuletin on asennettu sähkölieden yhteyteen, keittolevytason ja liesituulettimen alareunan välinen etäisyys ilmoitetaan käyttöohjeissa.*
- *Noudata ilmanpoistoon liittyviä ohjesääntöjä.*

## Puhdistus

Aina ennen kaikkia toimenpiteitä varmistautukaa, ettei virranjohdin ole kytkettynä ja että katkaisin on asemassa OFF. Puhdistakaa kuvun ulkopinta syövyttämättömällä nestemäisellä pesuaineella ja välttää hankaavien pesuaineiden käyttöä.

## Lampun vaihto

Ennen lampun vaihtoa varmistautukaa siitä, ettei liesituuletin ole kytkettynä. Poistakaa rasvansuodatin ja vaihtakaa lamppu voimakkuudeltaan teknisiin tietoihin kirjattua vastaavaan. Asettakaa suodatin uudelleen paikalleen.

## Rasvansuodattimen puhdistus

Riipuen käytöstä, kuitenkin vähintään kuukauden välein, rasvansuodattimet pitää irroittaa ja pestä astianpesukoneessa tai käsin kuumassa vedessä pesuaineella. Rasvansuodatin on parasta asettaa astianpesukoneeseen pystysuoraan asentoon, jotteivät ruuantähteet jää siihen kiinni. Rasvansuodatin huuhdellaan ja kuivataan pesun jälkeen ja asetetaan uudelleen paikalleen.

Jotta hiilisuodattimet toimisivat asianmukaisesti, ne on vaihdettava säännöllisesti, vähintään kerran kolmessa kuukaudessa (riippuen liesituulettimen käyttöiheydestä).

FI

## **Halogeenilamppuja koskeva tärkeä huomautus**

*Halogeenilamppuja vaihdettaessa täytyy varmistautua siitä, että uusi lamppu sisältää alumiiniheijastimen. Lamppu ei saa olla dicroininen, koska ne voivat lämmitä liikaa.*

*Valmistaja pitääytyy kaikesta vastuusta jos liesituulettimen kuvun asennuksessa, huollossa tai käytössä ei noudateta näitä ohjeita.*

Valmistaja todistaa, että tämä tuote täyttää kaikki oleelliset matalajännitteisille sähkötuotteille asetetut vaatimukset, jotka on esitetty direktiivissä 2006/95/CEE 12. joulukuuta 2006, sekä sähkömagneettisesta yhteensopivuudesta esitetyt vaatimukset direktiivissä 2004/108/CEE 15. joulukuuta 2004.

*Valmistaja pidättää itselleen oikeuden teknisiin parannuksiin tai muutoksiin ilman mitään sitä edellävää ilmoitusta.*

Ostaessasi tämän laitteen saat automaattisesti valmistajan myöntämän kahden vuoden takuun, joka kattaa osat ja huoltotyön ostomaassa.

### Valmistaja sitoutuu:

korjaamaan ilman veloitusta työstä tai osista minkä tahansa tämän tuotteen osan, jonka sarjanumero näkyy tuotteessa ja jonka havaitaan olevan viallinen, KAHDEN VUODEN kuluessa tuotteen ostopäivästä.

### Takuu ei kata seuraavia tapauksia:

- A** huoltokäynnit, joiden syynä ei ole tuotteessa oleva vika. Huoltokäynnin kustannukset veloitetaan asiakkaalta, jos käynnin aiheuttaneen ongelman syy ei ole tuotteessa oleva vika. Tällaisia ovat esimerkiksi seuraavat:
1. tuotteen virheellisen asennuksen korjaaminen
  2. tuotteen käytön opastus
  3. kiinteistön sulakkeiden vaihto, katkaisijoiden kytkeminen päälle, kiinteistön sähköverkon korjaaminen tai LVI-työt sekä lamppujen vaihto
  4. käyttäjän aiheuttamien vikojen korjaaminen
  5. tuotteen asetusten muuttaminen
  6. tuotteeseen tehty luvattomat muutokset
  7. normaalksi katsottava ääni tai värinä, esimerkiksi tyhjennysäänet, jäähdytyskoneiston äänet tai hälytysäänet
  8. tuhoeläinten, esimerkiksi rottien tai torakoiden, aiheuttamat vahingot
- B** viat, joiden syy on muu kuin jokin seuraavista:
1. tuotteen normaali kotikäyttö tai
  2. käyttöohjeen mukainen käyttö
- C** onnettomuuden, huolimattomuuden, väärinkäytön tai odottamattomien tapahtumien tuotteelle aiheuttamat viat
- D** Fisher & Paykel ei ole vastuussa laitetta varten liian alhaisesta tai korkeasta käyttöjännitteestä.
- E** valtuuttamattoman huoltohenkilöstön tekemien huolto- ja korjaustöiden kustannukset tai tällaisten toimien aiheuttamien vikojen korjauskustannukset
- F** matkakustannukset ja muut lisäkustannukset, joiden syynä on tuotteen sijoittaminen vaikeapääsyiseen paikkaan (esimerkiksi lento- tai laivaliput, kaukainen maantieteellinen sijainti)
- G** normaali käyttöohjeen mukainen ylläpito.

Asennusongelmissa tulee ottaa yhteys tuotteen jälleenmyyjään tai asentajaan. Asiakas vastaa siitä, että tuotetta varten on järjestetty asianmukainen sähköliitäntä, ilmanvaihto ja muut edellytykset.

Valmistaja ei ole vastuussa seuraamuksellisista tai välillisistä vahingoista (muulle omaisuudelle aiheutuneista vahingoista, jotka ovat seurausta tuotteesta ilmenneestä viasta, tai tuotteen viasta aiheutuneista kustannuksista).

## Huollon kutsuminen

Ennen soittamista huoltoon tai palvelunumeroon:

Tarkista asiat, jotka voit tehdä itse. Tarkista käyttöohjeen avulla seuraavat seikat:

- Laite on asianmukaisesti asennettu.
- Osaat käyttää laitetta oikein.
- Olet lukenut käyttöohjeen ongelmanratkaisuluettelon.

Kun olet varmistanut nämä seikat, toimi seuraavasti:

## Eurooppa

[www.fisherpaykel.eu](http://www.fisherpaykel.eu)

Jos soitat tai kirjoitat asiakaspalveluun, anna nimesi ja osoitteesi, mallin tunnus, sarjanumero, ostopäivä ja ongelman täydellinen kuvaus. Näitä tietoja tarvitaan ongelman ratkaisemisessa.

## Kaupallinen käyttö

Jos tuotetta käytetään kaupallisessa tarkoituksessa (jossakin muussa kuin yksityisessä kotitalouskäytössä), korjaamme vialliseksi osoittautuneen osan, jonka sarjanumero näkyy tuotteessa, veloittamatta osan hintaa. Tässä tapauksessa takuu raukeaa YHDEN VUODEN kuluttua alkuperäisestä ostopäivästä.

Harkintamme mukaan voimme vaihtaa osan tai tuotteen tai hyvittää tuotteen hankintahinnan kokonaisuudessaan (pois lukien asennus- ja muut lisäkustannukset). Kaikki tämän valmistajan takuun alainen huolto tapahtuu Fisher & Paykelin tai sen valtuuttaman huoltoliikkeen toimesta normaalien työaikojen puitteissa.

## Ei muita takuita

Asiakkaan ja valmistajan välillä ei ole muita tuotteessa ilmeneviä vikoja koskevia sopimuksia tai ehtoja kuin tämän valmistajan takuun ehdot. Valmistajan työntekijöillä (tai jälleenmyyjillä) ei ole oikeutta tehdä lisäyksiä tai muutoksia näihin takuehtoihin.

## Dekorativ köksfläkt

Bästa kund:

Vi är övertygade om att inköpet av vår köksfläkt kommer att tillfredsställa dina behov helt och hållet; därför bör du noga läsa instruktionerna i bruksanvisningen, så att du når fram till bästa möjliga resultat när du använder köksfläkten.

## Instruktioner för installation av fläkten. Skötsel och användning

### Allmänna anvisningar

Innan du installerar och använder köksfläkten ska du försäkra dig om att nätspänningen (V) och frekvensen (Hz) som anges på fläktens typskylt överensstämmer med nätspänningen och frekvensen där den ska installeras.

Typskylten med tekniska data finns på fläktens insida.

För att utnyttja fläktens kapacitet till fullo rekommenderar vi att du installerar ett rör som har en diameter på minst 120 mm. Vi rekommenderar också att röret är tillverkat av styv PVC-plast.

### Elektrisk anslutning

Köksfläktens kabel kopplas till ett vägguttag eller till en mångpolig strömbrytare som bör ha ett avstånd på minst 3 mm mellan kontaktöppningarna.

Tillverkaren gör sig inte ansvarig om man inte vidtar alla gällande och nödvändiga säkerhetsnormer för en korrekt och normal funktion av den elektriska delen.

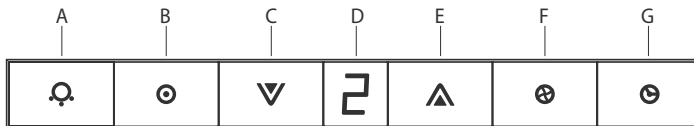


# Instrumentpanel med elektrokisk knapp 55

Den här panelen finns på fläktens främre del och består av:

- Strömbrytare till belysning (ref. A).
- En strömbrytare för start / avstängning av motorn (ref. B).
- En strömbrytare för att sänka motorns hastighet (ref. C).
- Hastighetsmätare för motorn (ref. D).
- Knapp för att öka motorns hastighet (ref. E).
- Knapp för att aktivera motorns TURBO (ref. F).
- Strömbrytare till motortimern (ref. G).

Fläkten går 5 minuter på aktuell hastighet och 5 minuter på var och en av de lägre hastigheterna tills det att den stannar helt.



## Viktigt!

- Anslut inte fläkten till skorsten, luftkonditionerigssystem eller varmluftstrummor. Innan den kopplas till lufttrumman, var god ta reda på gällande kommunala förordningar angående luftutsläpp och begär tillstånd hos den fastighetsansvarige. Försäkra dig om att ventilationen är korrekt även i fall då fläkten används tillsammans med annan utrustning.
- Lämna aldrig stekpannor och grytor på plattan utan tillsyn när du steker eftersom stekoljan kan överhettas och fatta eld. Om matoljan används på nytt är risken för självantändning större.
- Använd aldrig köksfläkten i utrymmen där det redan fungerar andra installationer som har luftevakueringsbehov om man inte kan försäkra sig om en perfekt ventilation av det nämnda utrymmet.
- För att eliminera risken för brand bör alla dessa råd och den periodiskt återkommande rengöringen av fettfiltren följas noggrant.
- Under en elektrostatisk överbelastning (ESD) är det möjligt att den här apparaten slutar fungera. Stäng då av den (OFF) och sätt på den igen (ON), då börjar den fungera korrekt igen. Det finns inte eller kommer att finnas någon som helst risk.
- Om nätkabeln förstörs eller har ett fel bör den bytas ut på en auktoriserad serviceverkstad eller av ett auktoriserat ombud.
- Tänd aldrig lågor under fläkten.
- Apparaten bör placeras på så sätt att strömförsörjningen är åtkomlig.
- Fläkten bör installeras minst 65 cm från spisens övre del.
- Under meteorologiska förhållanden som orsakar elektriska störningar kan apparaten upphöra att fungera. Genom att stänga av apparaten (OFF) och sätta på den igen (ON), utan någon som helst risk, fungerar den normalt igen.
- Denna apparat är inte avsedd att användas av personer (inklusive barn) med fysiska, sensoriella eller mentala funktionshinder eller med brist i erfarenhet eller kunskap, med förbehåll att de övervakas eller har fått anvisningar angående användning av apparaten av en person som ansvarar för deras säkerhet.
- Barn bör hållas under uppsikt så att de inte leker med apparaten.
- Den utsugna luften bör inte sändas genom ledningar som används för att driva ut rök från apparater som drivs med gas eller andra brännbara ämnen (detta gäller inte de apparater som enbart är avsedda för att driva ut luften inne i rummet).
- När spisfläkten sätts igång samtidigt som andra apparater som fungerar med en annan energi än elenergi, bör luftutsläppet inte vara större än 4 Pa (4x10<sup>-5</sup> bar).
- Använd aldrig spisfläkten i utrymmen där apparater fungerar med utvändiga utlopp, förutom att en perfekt ventilation kan garanteras i utrymmet.
- Denna spisfläkt kan enbart installeras ovanför elektriska spishällar eller gasspisar med maximalt 4 kokplattor.
- Om spisfläkten är installerad över en gasspis, bör minimiavståndet mellan spishällens nivå och nederdelen av spiskåpan vara minst 65 cm. Skulle installationsanvisningarna för gasspisen ange ett annat avstånd, bör detta beaktas.
- Om spisfläkten är installerad över en elplatta, ska minimiavståndet mellan spishällens nivå och nederdelen av spisfläkten vara det som anges på monteringsmallen.
- Iakttag gällande reglemente angående luftutsläpp.

## Rengöring

Före varje typ av åtgärd, bör du försäkra dig om att nätkabeln inte är inkopplad och att strömbrytaren är frånslagen. Rengör den yttre delen med icke korrosivt flytande rengöringsmedel och använd aldrig slipande rengöringsprodukter.

## Utbyte av lampan

Innan du byter ut lampan, bör du försäkra dig om att köksfläkten inte är påkopplad. Ta bort fettfiltren och byt ut lampan mot en lampa med samma effekt som den som anges vid de tekniska data. Sätt tillbaka filtren på samma plats.

## Rengöring av fettfilter

Minst varje månad och beroende på hur ofta fläkten används, bör fettfiltren monteras ner och rengöras i diskmaskin eller med varmt vatten och rengöringsmedel. Om man rengör dem i diskmaskin bör de placeras i stående position för att undvika att matrester avlagras på dem.

Efter att ha sköljt och torkat filtren sätter man tillbaka dem igen på samma plats genom att gå tillväga på det motsatta sättet än när man tog bort dem.

För att träkolsfiltren ska fungera måste de bytas ut regelbundet (minst var tredje månad, beroende på hur ofta huven används).

## ***Viktig information angående köksfläktar med halogena lampor***

***Vid utbyte av halogena lampor bör dessa bytas ut mot lampor med aluminium reflektor, aldrig mot dikroiska lampor, för att undvika en onödig överhettning i lamphållaren.***

***Tillverkaren avsäger sig allt ansvar i den mån att man inte vidtar alla åtgärder beskrivna för installation, underhåll och användning av köksfläkten.***

Tillverkaren förklarar härmed att produkten uppfyller alla väsentliga krav angående lågspänningsdirektivet 2006/95/EG från den 12 december år 2006 och om elektromagnetisk kompatibilitet som föreskrivs i direktiv 2004/108/EG från den 15 december år 2004.

Om du behöver någon typ av teknisk assistans eller vill ha mer information om våra produkter, tveka inte att ta kontakt med en av våra auktoriserade återförsäljare.

***Tillverkare fiirbehåller sig rätten lill tekniska fiirbättringar eller modijeringar utan fiiregående meddelande.***

Du får automatiskt av tillverkaren en garanti på 2 år i och med inköpet av denna produkt, vilket täcker reservdelar och arbete vid service inom det land du köpt produkten.

### Tillverkaren förbinder sig att:

Utan kostnad för ägaren för varken material eller arbete reparera produkt, produktens serienummer behöver anges, som är defekt inom TVÅ ÅR efter inköpsdatum.

### Denna garanti täcker inte:

- A** Servicesamtal som inte gäller någon defekt del av produkten. Kostnaden för servicesamtalet kommer att debiteras om det visar sig att det inte gäller ett produktfel. Till exempel:
1. Korrigering när produkten installerats på fel sätt.
  2. Instruera dig om hur du använder produkten.
  3. Byta ut säkringar, återställa kretsbrytare, korrigera husets kabeldragning eller rördragning eller byta ut glöd lampor.
  4. Korrigering av fel som orsakats av användaren.
  5. Ändring av produktens installering.
  6. Icke auktoriserade ändringar av produkten.
  7. Ljud eller vibrationer som anses normalt, till exempel dräneringsljud, ljud från luftcirkulation och varningssignaler för användaren.
  8. Korrigera skador som orsakats av skadedjur, till exempel råttor, kackerlackor, etc.
- B** Fel som orsakats av andra faktorer än:
1. Normal användning i hemmet eller
  2. Användning enligt produktens användarmanual.
- C** Produktfel som orsakats av olycka, vanskötsel, felaktig användning, brand, översvämning eller naturkatastrof.
- D** Fisher & Paykel kan inte hållas ansvariga för spänning som är över eller under produktens specifikation.
- E** Reparationskostnaden som utförts av reparatörer som inte är auktoriserade eller kostnaden för att rätta til sådana reparationer.
- F** Resekostnader och kringkostnader när produkten installerats på en begränsad eller inskränkt plats (dvs. flygkostnader, färjekostnader, isolerade platser geografiskt).
- G** Normalt rekommenderat underhåll som föreskrivs i produktens användarmanual.

Om du har installationsproblem kontakta din återförsäljare eller installatör. Du är ansvarig att tillhandahålla tillräckliga anordningar till de elektriska, avloppet och andra anslutningar.

Vi är inte ansvariga för efterföljande eller oförutsedda skador (kostnader för reparation eller byte av andra ägodelar som skadats på grund av att produkten är defekt eller utgifter till följt av en defekt produkt).

## Hur du erhåller service

Innan du ringer efter service eller hjälp:

Kontrollera de saker du kan göra själv. Se din användarmanual och kontrollera att:

- Din apparat har installerats på rätt sätt.
- Du har bekantat dig med den normala driftsfunktionen.
- Du har läst listan över problemlösningar.

Om du efter att du kontrollerat dessa punkter fortfarande behöver hjälp, se följande:

## Europa

[www.fisherpaykel.eu](http://www.fisherpaykel.eu)

Om du ringer eller skriver, vänligen ange namn, adress, modellnummer, serienummer, inköpsdatum och en fullständig beskrivning av problemet. Denna information behövs för att vi bättre kan svara på din begäran.

## Kommersiell användning

Om du använder denna produkt i ett kommersiellt sammanhang (annan användning än i enfamiljsbostad), godkänner vi reparation eller utbyte utan kostnad för dig endast gällande reservdelar, defekta delar, för serienumret som visas på produkten. Vårt ansvar gällande dessa reparationer är giltigt ETT ÅR från datum för originalinköp.

Efter eget val kan vi byta ut reservdelen eller produkten eller så kan vi erbjuda dig pengarna tillbaka för produktinköpet (exklusive installation och andra kostnader). All service under tillverkarens garanti skall ombesörjas av Fisher & Paykel eller dess auktoriserade serviceagent under normala affärstider.

## Inga andra garantier

Denna garanti från tillverkaren är det slutgiltiga och uteslutande avtalet mellan dig och oss gällande produktfel. Ingen av våra anställda (eller våra auktoriserade serviceagenter) är auktoriserade att göra tillägg eller ändringar i tillverkarens garanti.

## Dekorativ avtrekkshette

Kjære kunde:

Vi er overbevist om at du vil bli meget fornøyd med din nye avtrekkshette. Ønsker du å få maksimalt utbytte av den, må du lese instruksene i manualen nøye.

## Installasjonsinstrukser. Vedlikehold og bruk

### Generelle råd

Før installasjon og bruk av avtrekkshetten, sjekk at apparatet og stedet det skal installeres, har samme spenning (V) og frekvens (Hz) (jf. merkeplaten på avtrekkshettens innside).

For større avtrekkskapasitet i avtrekkskanalen anbefaler vi å bruke kanal av stiv PVC, med en diameter på minst 120 mm.

### Elektrisk tilkobling

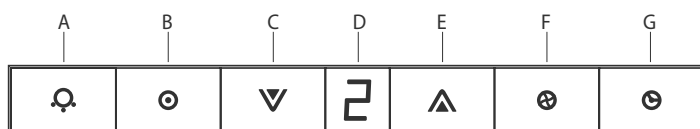
Koble avtrekkhettens ledning til en stikkontakt eller en allpolig bryter med kontaktåpninger på minst 3 mm. Overholdelse av gjeldende sikkerhetsforskrifter er nødvendig for at den elektriske delen av installasjonen skal fungere korrekt. Fabrikanten frasier seg derfor ethvert ansvar i tilfelle disse sikkerhetsforskriftene ikke respekteres.

## Betjeningspanel med elektroniske knapper 61

Dette panelet er plassert på avtrekshettens forside og har:

- Trykknapp belyningslampe (Ref. A).
- Trykknapp Av/På motor (Ref. B).
- Trykknapp for lavere motorhastighet (Ref. C).
- Hastighetsmåler motor (Ref. D).
- Trykknapp for høyere motorhastighet (Ref. E).
- Trykknapp for direkte aktivering av motorens intensivtrinn (Ref. F).
- Trykknapp for tidsinnstilling av motoren (Ref. G).

Avtrekshetten vil gå på den hastigheten den er stilt på i 5 minutter, og deretter 5 minutter på de lavere hastighetene helt til den stopper helt.



**Viktig!**

- *Avtrekkshetten må ikke tilkobles røykpiper, ventilasjonsrør eller varmluftskanaler. Før den monteres bør man konsultere gjeldende kommunale forskrifter angående krav til luftutslipp. Sørg for at det er tilstrekkelig ventilasjon i rommet.*
- *Ved steking må man alltid være på vakt, da oljen kan overhoppethes og ta fyr. Dette er spesielt viktig hvis man steker i olje som brukes om igjen.*
- *Bruk aldri avtrekkshetten på steder hvor det finnes andre apparater med luftutslipp til utsiden, med mindre det kan garanteres god ventilasjon i rommet.*
- *For å unngå brannfare må man alltid følge disse rådene, og være spesielt påpasselig når det gjelder regelmessig rengjøring av fettfiltrene.*
- *Ved elektrostatisk utladning (ESD) er det mulig at avtrekkshetten slutter å virke. Det eneste man behøver å gjøre i et slikt tilfelle er å slå apparatet av og så på igjen, og deretter vil det virke helt perfekt. Det er ingen fare forbundet hermed.*
- *Hvis strømledningen skulle skades, må den skiftes ut. Dette må gjøres av teknisk service eller en autorisert tekniker.*
- *Man må aldri flambere under avtrekkshetten.*
- *Monter avtrekkshetten slik at stikkkontakten er lett tilgjengelig.*
- *Avtrekkshetten må installeres minst 65 cm over komfyrtoppen.*
- *I uvær med lynnedslag kan det hende at apparatet kobles ut. I et slikt tilfelle bør man slå apparatet av (OFF) og deretter på (ON). Apparatet vil begynne å fungere normalt igjen uten at dette medfører noen som helst fare.*
- *Dette apparatet må ikke brukes av personer (gjelder også barn) med nedsatte fysiske eller mentale evner. Det må heller ikke betjenes av personer uten erfaring og kjennskap til apparatet med mindre de overvåkes eller instrueres av andre som påtar seg ansvaret for deres personlige sikkerhet.*
- *Hold barna unna apparatet.*
- *Avtrekksluften må ikke føres gjennom rør som brukes til avtrekk for røyk fra apparater drevet med gass eller annen type brensel (dette gjelder ikke apparater som utelukkende brukes til å sende luft inn i rommet).*
- *Hvis kjøkkenheten settes i gang på samme tid som andre ikke elektriske apparater, må luftavtrekket ikke være større enn 4 Pa (4x10<sup>-5</sup> bar).*
- *Bruk aldri hetten i rom hvor det allerede finnes apparater med luftavløp som er koblet til utsiden, med mindre det er sørget for god ventilasjon i rommet.*
- *Denne kjøkkenheten kan kun installeres over elektriske eller gass-koketopper med maks. 4 plater eller gassbluss.*
- *Når avtrekkshetten monteres over en gass-koketopp, må avstanden mellom koketoppens overflate og den nederste kanten på hetten være minst 65 cm. Skulle installasjonsinstruksene for gass-koketoppen angi at avstanden bør være større, må dette tas til følge.*
- *Skal avtrekkshetten monteres over en elektrisk koketopp, vil anbefalt minimumsavstand mellom koketoppen og den nederste kanten på hetten være angitt i monteringsinstruksene.*
- *Alle krav angående luftavtrekk må oppfylles.*



## Rengjøring

Før ethvert inngrep på avtrekkshetten må man slå av apparatet og trekke ut strømledningen. Rengjør hetten på utsiden med et flytende ikke etsende vaskemiddel. Unngå bruk av rengjøringsprodukter med slipende stoffer.

## Bytting av lampen

Sjekk at avtrekkshetten er slått av før lampen byttes. Fjern fettfilteret og skift ut lampen med en ny av samme type. Sett deretter filteret tilbake på plass.

## Rengjøring av fettfilteret

Fettfilteret må rengjøres minst én gang i måneden (eller oftere alt etter bruk). Det kan vaskes i oppvaskmaskin eller i varmt vann og oppvaskmiddel. Bruker man oppvaskmaskin, bør man plassere det vertikalt for å unngå at matrester setter seg fast. Skyll og tørk og sett filteret tilbake på plass.

Aktivkullfiltrene må skiftes ut minst hver tredje måned hvis man ønsker et optimalt resultat (eller oftere hvis avtrekkshetten brukes svært mye).

## **Viktig for avtrekkshetter med halogenlamper**

*Halogenlamper må byttes ut med lamper med aluminiumsreflektor, ikke dikroiske lamper, for å forhindre unødvendig overoppheting av lampeholderen.*

*Fabrikanten frasier seg ethvert ansvar i tilfelle ovennevnte instruksjoner angående installasjon, vedlikehold og bruk av avtrekkshetten ikke overholdes.*

Fabrikanten garanterer at dette produktet oppfyller alle de grunnleggende kravene som regulerer elektrisk lavtrykksmateriell og elektromagnetisk kompatibilitet i samsvar med henholdsvis direktiv 2006/95/EEC av 12. desember 2006 og direktiv 2004/108/EEC av 15. desember 2004.

Skulle du trenge teknisk assistanse eller ønsker ytterligere informasjon om våre produkter, bare ta kontakt med en av våre forhandlere.

*Fabrikanten forbeholder seg retten til å foreta teknologiske utbedringer eller endringer uten forhåndsvarsel.*

Dette apparatet har 2 års garanti som dekker deler og arbeid ved reparasjoner i det landet hvor apparatet er kjøpt.

### Produsenten vil sørge for at:

Apparatet repareres uten kostnader for eieren, verken for materialer eller arbeid ved reparasjon på noen av produktets deler, hvis serienummer er angitt på produktet, dersom feil skulle oppstå innen TO ÅR etter kjøpsdato.

### Denne garantien dekker ikke:

- A** Service som ikke er relatert til noen defekt på produktet. Kostnaden for servicen vil bli belastet kunden, dersom det ikke finnes noe problem som skyldes en produktfeil. For eksempel:
1. Korrigering av feilinstallasjon av produktet.
  2. Instruksjon i bruken av produktet.
  3. Utskifting av hussikringer, tilbakestilling av kretsbytere, retting på husets ledningsnett eller rørsystem, eller utskifting av lyspærer.
  4. Utbedring av feil som er forårsaket av brukeren.
  5. Endring av oppstilling av produktet.
  6. Ikke godkjente endringer av produktet.
  7. Støy eller vibrasjoner som er å betrakte som normale, for eksempel, tappelyder, omformerstøy eller varslingsalarmer.
  8. Utbedring av skader forårsaket av skadedyr, for eksempel rotter, kakerlakker osv.
- B** Defekter forårsaket av andre faktorer enn:
1. Normal bruk i en privat husholdning eller
  2. Bruk i samsvar med produktets bruksanvisning.
- C** Defekter på produktet forårsaket av ulykke, vanskjøtsel, feilaktig bruk, brann, oversvømmelse eller force majeure.
- D** Fisher & Paykel kan ikke holdes ansvarlig for at nettspenningen er høyere eller lavere enn det som er angitt i produktspesifikasjonen.
- E** Kostnaden til reparasjoner utført av uautoriserte reparatører eller kostnaden til å utbedre slike uautoriserte reparasjoner.
- F** Reisekostnader og dertil relaterte utgifter som påløper når produktet er installert på steder hvor det er begrenset eller innskrenket atkomst (f.eks. flyreiser, ferjebilletter, utgifter for å nå isolerte geografiske områder).
- G** Normalt anbefalt vedlikehold som beskrevet i produktets bruksanvisning.

Hvis du har problem med installasjonen, må du ta kontakt med forhandleren eller en installatør. Det er ditt ansvar å sørge for tilfredsstillende tilkoblingsløsninger for elektrisitet, avtrekk eller annet.

Vi er ikke ansvarlig for følgeskader eller tilfældige skader (kostnader til reparasjon eller erstatning av andre eiendeler som er blitt skadet ved at produktet er defekt, eller noen andre kostnader forårsaket av at produktet er defekt).

## Tilkalling av service

Før du tar kontakt for service eller assistanse:

Undersøk om du eventuelt kan rette feilen selv. Slå opp i bruksanvisningen og kontroller følgende:

- At apparatet er riktig installert
- At du er fortrolig med hva som er normal drift
- At du har lest sjekklisten for problemløsning

Hvis du, etter å ha kontrollert disse punktene, fremdeles har behov for assistanse, skal du gjøre som følger:

## Europa

[www.fisherpaykel.eu](http://www.fisherpaykel.eu)

Hvis du ringer eller skriver, husk å oppgi; navn og adresse, modellnummer, serienummer, kjøpedato og en fullstendig beskrivelse av problemet. Denne informasjonen er nødvendig for å gi deg best mulig tilbakemelding på ditt ønske om assistanse.

## Kommersiell bruk

Hvis du bruker produktet i kommersiell sammenheng (all annen bruk enn i en privat husholdning), aksepterer vi å reparere eller erstatte alle defekte deler med serienummer som er å finne på produktet uten at du skal betale for delene. Vår forpliktelse for disse reparasjonene går ut ETT ÅR etter den opprinnelige kjøpedatoen.

Vi kan velge om vi vil erstatte delen eller produktet, eller vi kan gi deg full tilbakebetaling av innkjøpsprisen for produktet (ikke inkludert installasjon eller andre kostnader). All service under denne produsentgarantien skal utføres av Fisher & Paykel eller deres autoriserte serviceleverandør innenfor vanlige arbeidstider.

## Ingen andre garantier

Denne produsentgarantien er den hele og eksklusive avtalen mellom deg og oss når det gjelder alle former for defekter på produktet. Ingen av våre ansatte (eller våre autoriserte serviceleverandører) har myndighet til å foreta noen endring i eller modifikasjon av denne produsentgarantien.

### Απορροφητήρας

Αγαπητέ πελάτη,

Είμαστε σίγουροι πως η αγορά του απορροφητήρα μας θα ικανοποιήσει απόλυτα τις ανάγκες σας. Παρακαλώ διαβάστε προσεκτικά τις οδηγίες αυτού του φυλλαδίου, προκειμένου να πετύχετε τα ιδανικά αποτελέσματα από τη χρήση του απορροφητήρα σας.

### Οδηγίες για τοποθέτηση, συντήρηση χρήση

#### Ηλεκτρική Σύνδεση

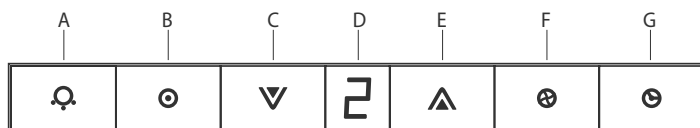
Συνδέστε το καλώδιο σε μία έξοδο ή έναν πολυπολικό διακόπτη που πρέπει να έχει μια απόσταση από το άνοιγμα επαφής τουλάχιστον 3 χιλ.

Ο κατασκευαστής δεν θα είναι υπεύθυνος αν δεν τηρηθούν όλες οι απαραίτητες και τρέχουσες νόρμες ασφαλείας για τη σωστή και ομαλή λειτουργία του ηλεκτρικού μέρους.

Αυτός ο πίνακας ελέγχου τοποθετείται εμπρός από τον απορροφητήρα και περιλαμβάνει:

- Κουμπί για τον φωτισμό (αναφορά A).
- Κουμπί λειτουργίας του μοτέρ (ανοικτό - κλειστό) (αναφορά B).
- Κουμπί για μείωση της ταχύτητας του μοτέρ (αναφορά C).
- Ένδειξη ταχύτητας μοτέρ (αναφορά D).
- Κουμπί αύξησης της ταχύτητας του μοτέρ (αναφορά E).
- Κουμπί για άμεση ενεργοποίηση της ταχύτητας ΤΟΥΡΜΠΟ του μοτέρ (αναφορά F).
- Κουμπί για ρύθμιση χρόνου του μοτέρ (αναφορά G).

Ο απορροφητήρας θα λειτουργεί για 5 λεπτά στην παρούσα ταχύτητα και 5 λεπτά σε κάθε μία από τις χαμηλότερες ταχύτητες μέχρι να φτάσει σε τέλεια διακοπή.



## Προσοχή!

- Μην συνδέετε τον απορροφητήρα με καπνοδόχους, σωλήνες εξαερισμού ή σωληνώσεις ζεστού αέρα. Πριν συνδέσετε με σωλήνες συμβουλευτείτε τις δημοτικές ρυθμίσεις για εξερχόμενα αέρια και πάρτε άδεια από τον υπεύθυνο κατασκευών. Σιγουρευτείτε ότι υπάρχει επαρκής εξαερισμός, ακόμη και όταν ο απορροφητήρας χρησιμοποιείται ταυτόχρονα με κάποιο άλλο προϊόν.
- Ποτέ μην αφήνετε φαγητό που τηγανίζετε χωρίς προσοχή, επειδή το λάδι μπορεί να υπερθερμανθεί ή να πιάσει φωτιά. Όταν τηγανίζετε με χρησιμοποιημένο λάδι, ο κίνδυνος φωτιάς είναι ακόμη μεγαλύτερος.
- Ποτέ μην χρησιμοποιείτε τον απορροφητήρα όταν υπάρχουν άλλες συσκευές με εκκενώσεις που συνδέονται με την έξοδο, εκτός αν μπορεί να είναι σίγουρος ο τέλειος εξαερισμός του χώρου.
- Προς αποφυγή της πιθανότητας φωτιάς, θα πρέπει όλες αυτές οι υποδείξεις και ο περιοδικός καθαρισμός των φίλτρων να τηρούνται αυστηρά.
- Κατά τη διάρκεια ηλεκτροστατικής εκκένωσης, είναι πιθανό να σταματήσει να λειτουργεί η συσκευή. Κλείνοντας και ξαναανοίγοντας το διακόπτη λειτουργίας, θα ξαναρχίσει να λειτουργεί, χωρίς κανένα κίνδυνο πριν ή μετά.
- Αν το ηλεκτρικό καλώδιο υποστεί φθορά πρέπει να αλλάχθει από έναν επίσημο αντιπρόσωπο.
- Ποτε μην αφήνετε αναμμενη φλογα κατω απο τον απορροφητηρα.
- Η συσκευή πρέπει να τοποθετείται με τέτοιο τρόπο, ώστε να είναι προσβάσιμη η πριζα παροχής ρευματος.
- Ο απορροφητήρας πρέπει να τοποθετείται το λιγότερο σε απόσταση 65 εκατοστων απο τις εστιες (ματια) της κουζίνας.
- Σε περίπτωση που λόγω μετεωρολογικών συνθηκών προκαλούνται ηλεκτρικές παρεμβολές, η συσκευή ενδέχεται να πάψει να λειτουργεί. Αν θέσετε τη συσκευή εκτός λειτουργίας (OFF) και την ανάψετε ξανά (ON) θα επανέλθει στην κανονική λειτουργία της χωρίς κανέναν κίνδυνο.
- Η συσκευή αυτή δεν προορίζεται για χρήση από άτομα (συμπεριλαμβανονται τα παιδιά) των οποίων οι σωματικές, αισθητήριες ή διανοητικές ικανότητες είναι μειωμένες ή τα οποία δεν διαθέτουν σχετική εμπειρία ή γνώσεις, εκτός αν βρίσκονται υπό επίβλεψη ή αν τους δίνονται οδηγίες σχετικά με τη χρήση της συσκευής από ένα άτομο υπεύθυνο για την ασφάλειά τους.
- Τα παιδιά θα πρέπει να βρίσκονται υπό την επίβλεψη ενηλίκων ώστε να μην παίζουν με τη συσκευή.
- Ο εξαγόμενος αέρας δεν θα πρέπει να περνά από αγωγούς που χρησιμοποιούνται για την εξαγωγή καπνών από συσκευές που τροφοδοτούνται με αέριο ή άλλο καύσιμο (δεν ισχύει για συσκευές που προορίζονται αποκλειστικά για την εξαγωγή του αέρα στο εσωτερικό του δωματίου).
- Όταν ο απορροφητήρας κουζίνας τίθεται σε λειτουργία ταυτόχρονα με άλλες συσκευές που τροφοδοτούνται από ενέργεια διαφορετική από την ηλεκτρική, η εξαγωγή αέρα δεν πρέπει να είναι πάνω από 4 Pa (4x10-5 bar).
- Ποτέ μην χρησιμοποιείτε τον απορροφητήρα σε περιβάλλον όπου λειτουργούν ήδη συσκευές με εξόδους συνδεδεμένες με εξωτερικό χώρο εκτός και αν δεν είναι δυνατή η εξασφάλιση του άρτιου εξαερισμού του εν λόγω χώρου.
- Αυτός ο απορροφητήρας μπορεί να εγκατασταθεί μόνο επάνω από ηλεκτρικές εστίες ή εστίες γκαζιού με μέγιστο αριθμό 4 εστίες.
- Αν ο απορροφητήρας εγκατασταθεί επάνω από μια εστία γκαζιού, η ελάχιστη απόσταση ανάμεσα στην επιφάνεια τοποθέτησης της συσκευής μαγειρέματος και στο κάτω μέρος του απορροφητήρα, πρέπει να είναι τουλάχιστον 65 εκατοστά. Αν στις οδηγίες εγκατάστασης της συσκευής μαγειρέματος με γκάζι υποδεικνύεται μεγαλύτερη απόσταση, πρέπει να ληφθεί υπόψη.
- Αν ο απορροφητήρας έχει εγκατασταθεί επάνω από μια ηλεκτρική συσκευή μαγειρέματος, η ελάχιστη απόσταση που πρέπει να υπάρχει ανάμεσα στην επιφάνεια τοποθέτησης της συσκευής μαγειρέματος και στο κάτω μέρος του απορροφητήρα περιγράφεται στο στάμπο εγκατάστασης.
- Είναι απαραίτητο να τηρούνται οι κανονισμοί σχετικά με την εξαγωγή αέρα.

## Καθαρισμός

Πριν από κάθε ενέργεια καθαρισμού βεβαιωθείτε ότι το ηλεκτρικό καλώδιο έχει αποσυνδεθεί και ότι ο διακόπτης βρίσκεται στη θέση OFF. Καθαρίστε το εξωτερικό του απορροφητήρα με ένα μη διαβρωτικό υγρό απορρυπαντικό και αποφύγετε τη χρήση των στίλβωτικών καθαριστικών προϊόντων.

## Αλλαγή των ηλεκτρικών λυχνιών

Πριν αντικαταστήσετε τις ηλεκτρικές λυχνίες, σιγουρευτείτε ότι ο απορροφητήρας είναι αποσυνδεδεμένος. Βγάλτε το φίλτρο άνθρακα και αντικαταστήστε την ηλεκτρική λυχνία με μια οβάλ λυχνία όχι μεγαλύτερης ισχύος από αυτή των τεχνικών χαρακτηριστικών του απορροφητήρα. Επανατοποθετήστε το φίλτρο.

## Καθαρισμός του φίλτρου άνθρακα

Ανάλογα με τη χρήση, αλλά τουλάχιστον μια φορά το μήνα, τα φίλτρα άνθρακα πρέπει να αποσυναρμολογούνται και να καθαρίζονται στο πλυντήριο πιάτων ή με ζεστό νερό και σαπούνι.

Αν καθαρίζονται στο πλυντήριο πιάτων, συνιστούμε να τοποθετούνται κάθετα για να μην κάθονται πάνω τους υπολείμματα φαγητού.

Μόλις ξεπλυθούν και στεγνώσουν, επανατοποθετήστε τα με την αντίθετη διαδικασία από εκείνη της αποσυναρμολόγησης.

Τα φίλτρα άνθρακα θα πρέπει να αντικαθίστανται περιοδικά για να λειτουργούν σωστά, τουλάχιστον μια φορά κάθε τρεις μήνες (εξαρτάται από τη συχνότητα με την οποία χρησιμοποιείται ο απορροφητήρας).

## Σημαντική προειδοποίηση για απορροφητήρες με λαμπες αλογονου

*Εάν οι λάμπες αλογόνου χρειάζονται αντικατάσταση, πρέπει να αντικατασταθούν με λάμπες με ανακλαστήρα αλουμινίου, ποτέ διχρωματικές λάμπες, προς αποφυγή άσκοπης υπερθέρμανσης των πλαισίων των λαμπών.*

*Ο κατασκευαστής αποποιείται κάθε ευθυνης εαν οι οδηγίες για την εγκατάσταση, συντήρηση και χρήση του απορροφητήρα δεν ακολουθηθούν.*

Ο κατασκευαστής δηλώνει ότι αυτό το προϊόν τηρεί όλες τις ουσιαστικές απαιτήσεις σχετικά με το ηλεκτρικό υλικό χαμηλής τάσης όπως προδιαγράφεται στην Οδηγία 2006/95/CEE της 12ης Δεκεμβρίου του 2006 και την ηλεκτρομαγνητική συμβατότητα όπως προδιαγράφεται στην Οδηγία 2004/108/CEE της 15ης Δεκεμβρίου του 2004.

*Ο παραγωγός διατηρεί το δικαίωμα οποιασδήποτε τεχνολογικής βελτίωσης ή αλλαγής, χωρίς προηγούμενη ενημέρωση.*

Με την αγορά του ψυγείου έχετε 2 χρόνια εγγύηση από τον κατασκευαστή, η οποία καλύπτει ανταλλακτικά και εργασία για επισκευή εντός της χώρας στην οποία έγινε η αγορά.

### **Ο κατασκευαστής αναλαμβάνει να:**

Επισκευάσει χωρίς δαπάνη του κατόχου, για υλικά ή εργασία, οποιοδήποτε τμήμα της συσκευής, ο αριθμός σειράς της οποίας αναγράφεται στην ίδια τη συσκευή, που θα αποδειχθεί ελαττωματικό μέσα σε χρονικό διάστημα ΔΥΟ ΕΤΩΝ από την ημερομηνία αγοράς.

### **Η εγγύηση αυτή δεν καλύπτει:**

- A** Κλήσεις του σέρβις που δεν αφορούν ελαττώματα της συσκευής. Σε περίπτωση που διαπιστωθεί ότι το πρόβλημα δεν οφείλεται σε ελάττωμα της συσκευής, ο πελάτης χρεώνεται για την κλήση του σέρβις. Για παράδειγμα:
  1. Διόρθωση λανθασμένης εγκατάστασης της συσκευής.
  2. Καθοδήγηση για τη χρήση της συσκευής.
  3. Αντικατάσταση ασφαλειών, σήκωμα ασφαλειοδιακοπών του ηλεκτρικού πίνακα, επισκευές στην ηλεκτρική ή υδραυλική εγκατάσταση της κατοικίας ή αντικατάσταση λάμπας.
  4. Διόρθωση βλάβης που προκάλεσε ο χρήστης.
  5. Διόρθωση ρύθμισης της συσκευής.
  6. Αυθαίρετες μετατροπές της συσκευής.
  7. Θόρυβοι ή κραδασμοί που θεωρούνται φυσιολογικοί, όπως για παράδειγμα, θόρυβοι αποστράγγισης, θόρυβοι ανανέωσης ή μπιπ προειδοποίησης του χρήστη.
  8. Διόρθωση ζημιών που προκλήθηκαν από παράσιτα, όπως για παράδειγμα αρουραίους, κατσαρίδες κλπ.
- B** Προβλήματα που οφείλονται σε άλλους παράγοντες, εκτός από τους παρακάτω:
  1. Φυσιολογική οικιακή χρήση ή
  2. Χρήση σύμφωνα με τις οδηγίες χρήσης του προϊόντος.
- Γ** Προβλήματα στη συσκευή που προκαλούνται από ατύχημα, αμέλεια, κακή χρήση, πυρκαγιά, πλημμύρα ή ανωτέρα βία.
- Δ** Η Fisher & Paykel δεν αναλαμβάνει καμία ευθύνη αν η τάση του ρεύματος είναι πάνω ή κάτω από τις προδιαγραφές της συσκευής.
- E** Το κόστος επισκευής που εκτελείται από μη αρμόδιους τεχνικούς ή το κόστος διόρθωσης τέτοιων επισκευών.
- ΣΤ** Τα μεταφορικά και άλλα ανάλογα έξοδα για την εγκατάσταση ή επισκευή της συσκευής σε τοποθεσία με περιορισμένη ή απαγορευμένη πρόσβαση. (Όπως αεροπορικά εισιτήρια, ακτοπλοϊκά εισιτήρια, απομονωμένες γεωγραφικές περιοχές.)
- Z** Την τακτική συνιστώμενη συντήρηση που περιγράφεται στις Οδηγίες Χρήσης της συσκευής.

Αν πρόκειται για πρόβλημα της εγκατάστασης, επικοινωνήστε με τον αντιπρόσωπο ή τον τεχνικό που εγκατέστησε τη συσκευή. Έχετε την ευθύνη να διαθέτετε κατάλληλη ηλεκτροπαραγωγή, εξαιρισμό και τις άλλες απαραίτητες συνδέσεις.

Δεν φέρουμε καμία ευθύνη για επακόλουθες ή τυχαίες ζημιές (κόστος επισκευής ή αντικατάστασης άλλων περιουσιακών στοιχείων που μπορεί να πάθουν ζημιά αν η συσκευή αποδειχθεί ελαττωματική, ή έξοδα στα οποία μπορεί να υποβληθείτε αν η συσκευή αποδειχθεί ελαττωματική).



## Πώς να καλέσετε το σέρβις

Πριν καλέσετε το σέρβις ή τεχνικό:

Δείτε τι μπορείτε να κάνετε μόνοι σας. Συμβουλευθείτε τις οδηγίες χρήσης και ελέγξτε:

- Αν η συσκευή είναι εγκατεστημένη σωστά
- Αν γνωρίζετε καλά την κανονική χρήση της συσκευής
- Αν μπορείτε να βρείτε το πρόβλημα στην “Επίλυση προβλημάτων”

Αν ελέγξετε αυτά τα σημεία και εξακολουθείτε να χρειάζεστε βοήθεια, απευθυνθείτε στην παρακάτω διεύθυνση και τηλέφωνο:

## Ευρώπη

[www.fisherpaykel.eu](http://www.fisherpaykel.eu)

Αν τηλεφωνήσετε ή γράψετε, δώστε το όνομα και τη διεύθυνσή σας, τον αριθμό του μοντέλου και τον αριθμό σειράς της συσκευής, την ημερομηνία αγοράς και πλήρη περιγραφή του προβλήματος. Οι πληροφορίες αυτές χρειάζονται για να ανταποκριθούμε καλύτερα στο αίτημά σας για βοήθεια.

## Επαγγελματική χρήση

Αν χρησιμοποιείτε τη συσκευή σε επαγγελματική εγκατάσταση (οποιαδήποτε χρήση άλλη από την εξυπηρέτηση ενός νοικοκυριού), συμφωνούμε να επισκευάσουμε ή αντικαταστήσουμε, χωρίς καμία επιβάρυνση δική σας για τα ανταλλακτικά και μόνο, οποιαδήποτε ελαττωματικά εξαρτήματα, ο αριθμός σειράς των οποίων εμφανίζεται στη συσκευή. Οποιαδήποτε ευθύνη έχουμε για τις επισκευές αυτές, εκπνέει ENAN ΧΡΟΝΟ από την ημερομηνία αρχικής αγοράς της συσκευής.

Κατά τη διακριτική μας ευχέρεια, μπορεί να αντικαταστήσουμε το εξάρτημα ή τη συσκευή. Οποιαδήποτε υπηρεσία στα πλαίσια της παρούσας εγγύησης κατασκευαστή παρέχεται από τη Fisher & Paykel ή το εξουσιοδοτημένο σέρβις της κατά τη διάρκεια του κανονικού ωραρίου εργασίας.

## Καμία άλλη εγγύηση

Η παρούσα εγγύηση κατασκευαστή αποτελεί την πλήρη και αποκλειστική συμφωνία ανάμεσα σε σας και σε μας, για οποιοδήποτε ελάττωμα παρουσιάσει η συσκευή. Κανένας από τους υπαλλήλους μας (ή τα εξουσιοδοτημένα σέρβις μας) δεν δικαιούται να κάνει οποιαδήποτε προσθήκη ή τροποποίηση στην παρούσα εγγύηση κατασκευαστή.

## Dekoratív konyhai szagelszívók

Tisztelt Vásárló:

Meg vagyunk győződve arról, hogy az Ön által vásárolt konyhai szagelszívó mindenben meg fog felelni az igényeinek.

Kérjük olvassa el figyelmesen ezt a használati útmutatót, a legtovábbra is jobb eredmény elérése érdekében.

## Üzembehelyezési, karbantartási és használati útmutató

### Elektromos bekötés

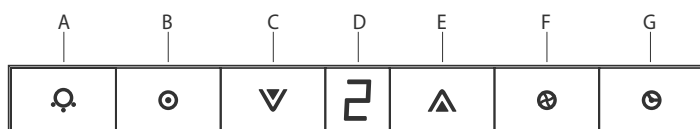
Csatlakoztassa a hálózati csatlakozó zsinórt az aljzatba vagy egy többpólusú kapcsolóhoz melynek a minimális érintkező nyílása legalább 3 mm kell, hogy legyen.

A gyártó nem vállal felelősséget abban az esetben, ha a bekötésre ill. az üzemeltetésre vonatkozó előírásokat nem tartják be.

Ez a kapcsolótábla az elszívó elején található és magában foglalja:

- Világítás kapcsoló (A jel )
- Ki / Bekapcsolás ( motor ) (B jel )
- Motor sebességcsökkentő gomb (C jel )
- Motor fokozatkijelző (D jel )
- Motor sebességnövelő gomb (E jel )
- A motor TURBO fokozatát aktiváló gomb (F jel )
- A motor időbeállítását szabályozó gomb (G jel )

A készülék 5 percig az utoljára használt fokozaton működik, majd minden egyes alacsonyabb fokozaton további 5 percet, végül kikapcsol.



## Fontos!

- *Ne csatlakoztassa az elszívót kéménybe, ventilátor légcsatornába ill. meleg levegő keringtetésére szolgáló légcsatornába. Bármilyen bekötés előtt tanácskozzon a helyi kéményseprővállalt felelős személyével, ill. kérje az épület üzemeltetőjének engedélyét.. Győződjön meg arról, hogy a helységben megfelelő szellőzés legyen , még akkor is ha az elszívót párhuzamosan használja más termékekkel együtt.*
- *Soha ne hagyjon tűzön lévő ételt felügyelet nélkül, mivel a zsír túlmelegedhet és lángra lobbánhat. Használt olaj esetében még nagyobb a veszély.*
- *Soha ne használja az elszívót olyan helységben ahol más kivezető csővel rendelkező, olyan készülékek működnek, melyek a szabadba vannak kivezetve.*
- *Elkerülendő a tűzveszélyt, kérjük szigorúan tartsa be az itt leírt előírásokat és rendszeresen tisztítsa a zsírszűrőket.*
- *Áramszünet esetén lehetséges , hogy a készülék leáll. A kikapcsolás ( OFF ) és azután a bekapcsolás ( ON ) gombok megnyomásával a készülék újra működni kezd. Semmiféle veszéllyel nem kell számolni ebben az esetben.*
- *Ha a hálózati csatlakozó zsinór megsérült, csak szakember végezheti a cseréjét.*
- *Soha ne hagyjon nyílt, fedetlen lángot az elszívó alatt.*
- *A készülék úgy kerüljön felszerelésre, hogy a hálózati csatlakozó zsinór mindig hozzáférhető legyen.*
- *Az elszívót minimum 65 cm -es távolságra kell a tűzhely fölé szerelni.*
- *Olyan időjárási feltételek mellett, amelyek elektromos interferenciát okoznak, előfordulhat, hogy az elszívó működése leáll. A készülék kikapcsolásával (OFF) és újrapcsolásával (ON) mindenféle kockázat nélkül visszaáll a rendes működés.*
- *A készüléket ne használják olyan személyek (gyermeket is beleértve) akiknek a fizikai, szenzoriális illetve mentális képessége csökkent, vagy nem rendelkeznek megfelelő tapasztalattal illetve ismeretekkel, ha csak nem felügyelet mellett teszik azt, vagy a készülék használatára vonatkozóan felelősségteljes személytől megfelelő útbaigazítást kaptak!*
- *Ügyeljen arra, hogy gyermekek ne játsszanak a készülékkel!*
- *A kivezetett levegő nem kerülhet olyan vezetékbe, amely gázzal vagy más tüzelőanyaggal üzemeltetett készülékek füstjének kivezetésére szolgál (nem érvényes olyan készülékekre, amelyek kizárólag a szoba beltére levegőjének kivezetésére szolgál).*
- *Ha a konyhai elszívót más olyan készülékekkel használja egyidejűleg, amelyeket nem elektromos energia működtet, akkor a kimenő levegő nyomása nem haladhatja meg a 4 Pa-t (4 x 10<sup>-5</sup> bar).*
- *Az elszívót ne használja olyan helyen, ahol más a kültér felé történő levegőkivezetéssel működő készülékek működnek, ha nincs lehetőség az adott hely tökéletes szellőzésének biztosítására.*
- *Ez az elszívó kizárólag elektromos főzőlapok és maximum 4 lángos gáz főzőlapok fölé szerelhető.*
- *Amennyiben az elszívót gáz főzőlap fölé kívánja szerelni, akkor a főzőfelület és az elszívó alsó része között minimum 65 cm távolságot kell hagyni. Amennyiben a gáz főzőlap szerelési utasítása ennél nagyobb távolságot ír elő, akkor azt kell figyelembe venni.*
- *Amennyiben az elszívót elektromos főzőlap fölé kívánja szerelni, akkor az elektromos főzőfelület és az elszívó alsó része között a főzőlap szerelési utasításában előírt távolságot kell hagyni.*
- *Szigorúan be kell tartani a levegőkivezetésre vonatkozó előírásokat.*

## Tisztítás

Bármilyen művelet megkezdése előtt győződjön meg arról, hogy a hálózati csatlakozó zsinór ki van húzva az aljzatból és a fokozatkapcsoló a kikapcsolás állásban van. A készülék külsejének tisztításához használjon enyhe, folyékony mosószert és kerülje a dörzsanyagot tartalmazó tisztítószerkeket.

## Izzócsere

Izzócsere előtt győződjön meg arról, hogy a hálózati csatlakozó zsinór ki van húzva az aljzatból és a fokozatkapcsoló a kikapcsolás állásban van. Távolítsa el a zsírszűrőt és cserélje ki az égőt olyan izzóra, amelynek a teljesítménye megegyezik a Műszaki Jellemzőkben felsoroltakkal. Ezután helyezze vissza a zsírszűrőt.

## A zsírszűrő tisztítása

Használatától függően, legalább havonta, a zsírszűrőket le kell szerelni és meg kell tisztítani, mosogató gépben vagy forró, mosószeres vízben.

Mosogatógépes tisztításnál, a szűrőket függőlegesen kell beállítani a mosogatógépbe, elkerülendő, hogy étemaradékok hulljanak a zsírszűrő felületére.

Öblítés és szárítás után helyezze vissza a zsírszűrőt a helyére, a leszereléskor elvégzett műveletek fordított sorrendben történő megismétlésével.

Az aktív szén szűrőket rendszeresen cserélni kell a megfelelő működés érdekében, legalább háromhavonta (a használat sűrűségétől függően).

## **Fontos figyelmeztetés halogén lámpával rendelkező konyhai elszívók esetében**

*Halogén izzók cseréjénél mindig alumínium foglaltú lámpát használjon, elkerülendő a felesleges túlmelegedést a foglalatban.*

***A gyártó nem vállal felelősséget a jelen útmutatóban szereplő előírások be nem tartásából eredő kárért.***

A gyártó kijelenti, hogy ez a termék megfelel a 2006. december 12-ei, 2006/95/CEE sz. irányelv alacsony feszültségű készülékekre vonatkozó alapvető követelményeinek, valamint a 2004. december 15-ei 2004/108/CEE sz. irányelvben meghatározott elektromágneses kompatibilitásra vonatkozó követelményeknek.

***A gyártó fenntartja magának a jogot bármilyen technikai újítás, változtatás bevezetésére előzetes értesítés nélkül is.***



**Copyright © Fisher & Paykel 2012. All rights reserved.**

The product specifications in this booklet apply to the specific products and models described at the date of issue. Under our policy of continuous product improvement, these specifications may change at any time. You should therefore check with your Dealer to ensure this booklet correctly describes the product currently available.

**Copyright © Fisher & Paykel 2012. Alle rettigheder forbeholdes.**

Produktspecifikationerne i dette hæfte henviser til de specifikke produkter og modeller, beskrevet på udgivelsesdagen. Under henvisning til vores politik om konstant forbedring af produktet kan disse specifikationer ændres når som helst. Du bør derfor kontakte dit kundeservicecenter, så du er sikker på, at dette hæfte korrekt beskriver det produkt, der findes i øjeblikket.

**Copyright © Fisher & Paykel 2012. Med förbehåll.**

Produktspecifikationerna i denna handbok gäller för de specifika produkter och modeller som beskrivs vid datum för publicering. Enligt vår policy för kontinuerlig produktförbättring, kan dessa specifikationer när som helst ändras. Du bör därför kontrollera med din återförsäljare att denna handbok beskriver den produkt som för tillfället finns tillgänglig.

**Copyright © Fisher & Paykel 2012. Kaikki oikeudet pidätetään.**

Tässä julkaisussa kerrotut tuotetiedot koskevat mainittuja tuotteita ja malleja julkaisuhetkellä. Koska kehitämme tuotteitamme jatkuvasti, tiedot saattavat muuttua ilman eri ilmoitusta. Tarkista siksi paikallisesta asiakaspalvelusta, että tämä kirjanen kuvaa kulloinkin saatavilla olevaa tuotetta tarkasti.

**Copyright © Fisher & Paykel 2012. Med alle rettigheter.**

Produktspesifikasjonene i dette heftet gjelder for det bestemte produktet og de modellene som ble beskrevet da det ble utgitt. På grunn av vår policy om kontinuerlig produktforbedring, kan disse spesifikasjonene bli endret når som helst. Derfor bør du sjekke med Kundestøtte om heftet på en korrekt måte beskriver det produktet som for tiden er tilgjengelig.

**Copyright © Fisher & Paykel 2012. Alle rechten voorbehouden.**

De productspecificaties in dit document gelden voor de specifieke producten en modellen beschreven op de uitgavedatum. In het kader van ons beleid van voortdurende verbetering van onze producten, kunnen deze specificaties te allen tijde worden gewijzigd. Informeer daarom bij uw Servicecentrum of dit boekje een juiste beschrijving bevat van het product dat tegenwoordig wordt geleverd.

**Copyright © Fisher & Paykel 2012. Tous droits réservés.**

Les caractéristiques des produits figurant dans ce livret s'appliquent aux produits et modèles spécifiques décrits à la date de publication. Dans le cadre de notre politique d'amélioration continue des produits, ces caractéristiques techniques peuvent changer à tout moment. Vous devrez par conséquent vérifier auprès de votre centre d'assistance clientèle que ce livret décrit bien le produit commercialisé actuellement.

www.fisherpaykel.co.nz  
www.fisherpaykel.com.au  
www.fisherpaykel.co.uk  
www.fisherpaykel.ie  
www.fisherpaykel.eu

***Fisher & Paykel***

**Diritti di riproduzione © Fisher & Paykel 2012. Tutti i diritti riservati.**

I dati tecnici del prodotto contenuti in questo manuale si riferiscono agli specifici prodotti e modelli descritti alla data di pubblicazione. Tali dati possono essere modificati in qualsiasi momento a seguito del continuo aggiornamento e perfezionamento tecnico praticato dalla nostra azienda. Quindi dovrete controllare con il nostro centro di assistenza clienti per assicurarvi che il libretto descriva in modo corretto il prodotto correntemente disponibile.

**Copyright © Fisher & Paykel 2012. Με την επιφύλαξη κάθε δικαιώματος.**

Οι προδιαγραφές που περιλαμβάνονται σε αυτό το βιβλίο ισχύουν για τα συγκεκριμένα προϊόντα και μοντέλα που περιγράφονται, κατά την ημερομηνία έκδοσης. Στα πλαίσια της πολιτικής μας για συνεχή βελτίωση των προϊόντων μας, αυτά τα τεχνικά χαρακτηριστικά μπορεί να μεταβληθούν οποιαδήποτε στιγμή. Πρέπει, επομένως, να ρωτήσετε το κέντρο εξυπηρέτησης πελατών αν το εγχειρίδιο ανταποκρίνεται στο προϊόν που διατίθεται τη συγκεκριμένη στιγμή.